



SVECOM P.E.

Web site: www.svecom.com

SUPPORTI SAFETY CHUCKS

INDICE - INDEX

INDICE

PERNI PER SUPPORTI QUADRI
PERNI PER SUPPORTI ALTA VELOCITÀ
CARATTERISTICHE OPERATIVE

INDEX

SQUARE JOURNAL FOR SAFETY CHUCK
HIGH SPEED JOURNAL FOR SAFETY CHUCK
OPERATIONAL FIGURE

I°
II°
III°
IV°

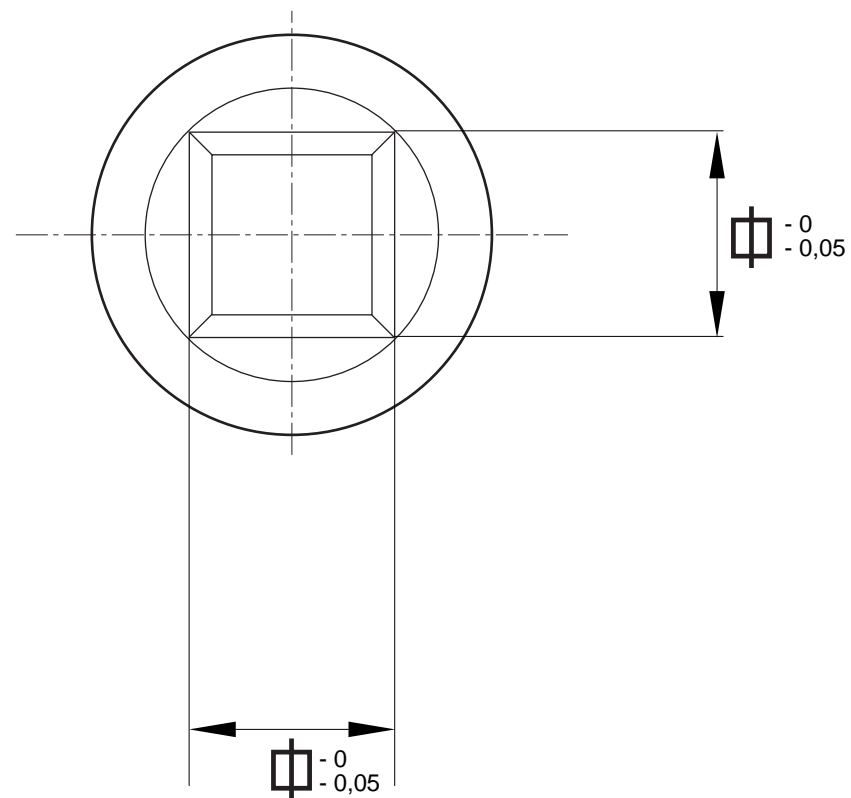
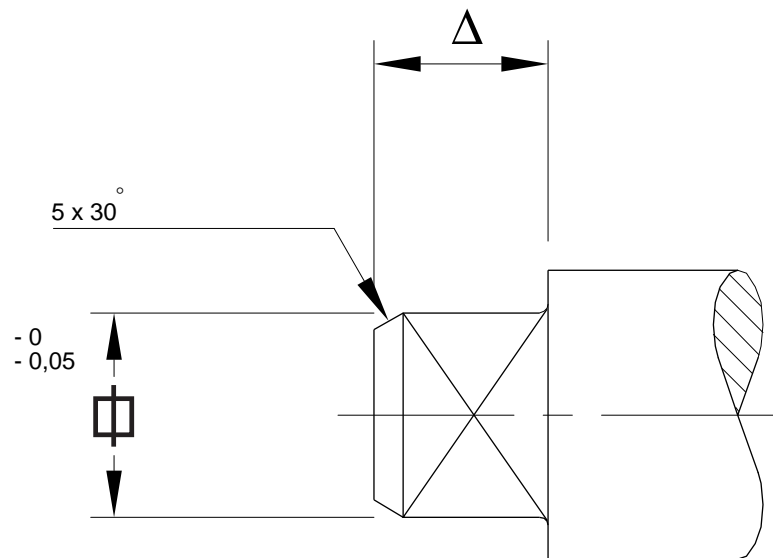
900			925			950		
pagina - page			pagina - page			pagina - page		
900 KLLF1	- 900 KLLF0	1	925 KLLF1	- 925 KLLF0	18	950 KLLF1		34
900 KLLP1	- 900 KLLP0	2	925 KLLP1	- 925 KLLP0	19	950 KLLF2		35
900 KLPF1	- 900 KLPF0	3	925 KLLF1Q	- 925 KLLF0Q	20	950 KLLP1		36
900 KLPP1	- 900KLPP0	4	925 KLLP1Q	- 925 KLLP0Q	21	950 KLLP2		37
900 KLSF1		5	925 KLPF1	- 925 KLPF0	22	950 KLPF1		38
900KLSF2		6	925 KLPP0	- 925 KLPP0	23	950 KLPF2		39
900 KLSP1		7	925 KLPF1Q	- 925 KLPF0Q	24	950 KLPP1		40
900 KLSP2		8	925 KLPP1Q	- 925KLPP0Q	25	950 KLPP2		41
900 KLUF1	- 900 KLUF0	9	925 KLUF1	- 925 KLUF0	26	955 PNLF1TR		42
900 KLUP1	- 900 KLUP0	10	925 KLUP1	- 925 KLUP0	27	956 PNLF1TF		42
900 KLAPF1	- 900 KLAPF0	11	925 KLALF1	- 925 KLALF0	28	955 PNLF2TR		43
900 KLAPP1	- 900 KLAPP0	12	925 KLALP1	- 925 KLALP0	29	956 PNLF2TF		43
910 KLPF1	- 910 KLPF0	13	925 KLAPF1	- 925 KLAPF0	30	955 PPNF1TR		44
910 KLPP1	- 910 KLPP0	14	925 KLAPP1	- 925 KLAPP0	31	956 PPNF1TF		44
910 KLAPF1	- 910 KLAPF0	15	935 PNLF1TR	- 935 PNLF0TR	32	955 PPNF2TR		45
910 KLAPP1	- 910 KLAPP0	16	936 PNLF1TF	- 936 PNLF0TF	32	956 PPNF2TF		45
905 PPNF1TR	- 905 PPNF0TR	17	935 PPNF1TR	- 935 PPNF0TR	33	950 KLSLF1		46
906 PPNF1TF	- 905 PPNF0TF	17	936 PPNF1TF	- 936 PPNF0TF	33	950 KLSLP1		47
						950 KLSPF1		48
						950 KLSPP1		49



SVECOM P.E.

Web site: www.svecom.com

PERNI PER SUPPORTI QUADRI SQUARE JOURNAL FOR SAFETY CHUCK



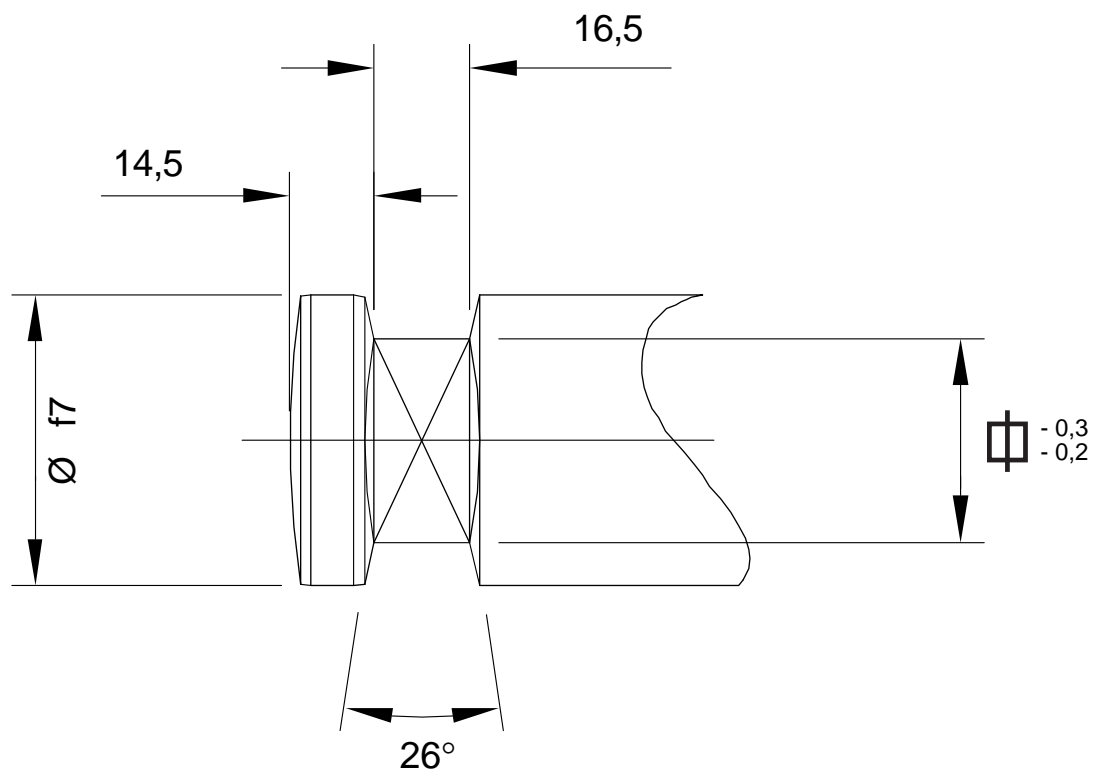
Supporto - Bearing		Albero - Shaft	
\varnothing	Prof.	\varnothing	Δ
25	25	25	30
30	25	30	30
35	25	35	30
40	25	40	30
45	30	45	35
50	30	50	35



SVECOM P.E.

Web site: www.svecom.com

PERNI PER SUPPORTI ALTA VELOCITÀ HIGH SPEED JOURNAL FOR SAFETY CHUCK



Albero - Shaft		Tipo - Type
Ø	Ø	
30	42	925KLL / 950KLL
35	50	925KLL / 950KLL
40	55	925KLP / 950KLP



SVECOM P.E.

Web site: www.svecom.com

CARATTERISTICHE OPERATIVE OPERATIONAL FIGURE

Leggero - Light Mod. 900 Pesante - Heavy							
<i>Piedino - Foot</i> Vel. Max Max Speed		<i>Flangia - Flange</i> Vel. Max Max Speed		<i>Piedino - Foot</i> Portata max Max Capacity		<i>Flangia - Flange</i> Vel. Max Max Speed	
300 RPM	6000 N	300 RPM	6000 N	600 RPM	15600 N	600 RPM	15600 N
page. 2		page.1		page. 4		page. 3	
				Pneumatici Pneumatic	Speciali Special	Pneumatici Pneumatic	Speciali Special
				a richiesta on request	page. 7	page. 17	page. 5
					page. 8		page. 6
					page. 12		page. 11
				1000 RPM	60000 N	1000 RPM	60000 N
				page. 10		page. 9	
				Pneumatici Pneumatic	Speciali Special	Pneumatici Pneumatic	Speciali Special
				a richiesta on request	a richiesta on request		

Leggero - Light Mod. 910 Pesante - Heavy					
<i>Piedino - Foot</i> Vel. Max Max Speed		<i>Flangia - Flange</i> Vel. Max Max Speed		<i>Piedino - Foot</i> Portata max Max Capacity	
		600 RPM	15600 N	600 RPM	15600 N
		page. 14		page. 13	
		Pneumatici Pneumatic	Speciali Special	Pneumatici Pneumatic	Speciali Special
		a richiesta on request	pag. 16	a richiesta on request	pag. 15

Leggero - Light Mod. 925 Pesante - Heavy							
<i>Piedino - Foot</i> Vel. Max Max Speed		<i>Flangia - Flange</i> Vel. Max Max Speed		<i>Piedino - Foot</i> Portata max Max Capacity		<i>Flangia - Flange</i> Vel. Max Max Speed	
1200 RPM	15600 N	1200 RPM	15600 N	1500 RPM	30000 N	1500 RPM	30000 N
page. 19		page.18		page. 23		page.22	
Pneumatici Pneumatic	Speciali Special	Pneumatici Pneumatic	Speciali Special	Pneumatici Pneumatic	Speciali Special	Pneumatici Pneumatic	Speciali Special
a richiesta on request	page. 21	page. 32	page. 20	a richiesta on request	page. 25	page. 33	page. 24
	page. 29		page. 28		page. 31		page. 30
				1300 RPM	60000 N	1300 RPM	60000 N
				page. 27		page. 26	
				Pneumatici Pneumatic	Speciali Special	Pneumatici Pneumatic	Speciali Special
				a richiesta on request	a richiesta on request		

Leggero - Light Mod. 950 Pesante - Heavy					
<i>Piedino - Foot</i> Vel. Max Max Speed		<i>Flangia - Flange</i> Vel. Max Max Speed		<i>Piedino - Foot</i> Portata max Max Capacity	
1200 RPM	15600 N	1200 RPM	15600 N	1500 RPM	30000 N
page. 36		page.34		page. 40	
page. 37		page.35		page. 41	
Pneumatici Pneumatic	Speciali Special	Pneumatici Pneumatic	Speciali Special	Pneumatici Pneumatic	Speciali Special
a richiesta on request	page. 47	page. 42	page. 46	a richiesta on request	page. 44
		page. 43		page. 49	page. 48



SVECOM P.E.

Web site: www.svecom.com

SUPPORTO SAFETY CHUCK

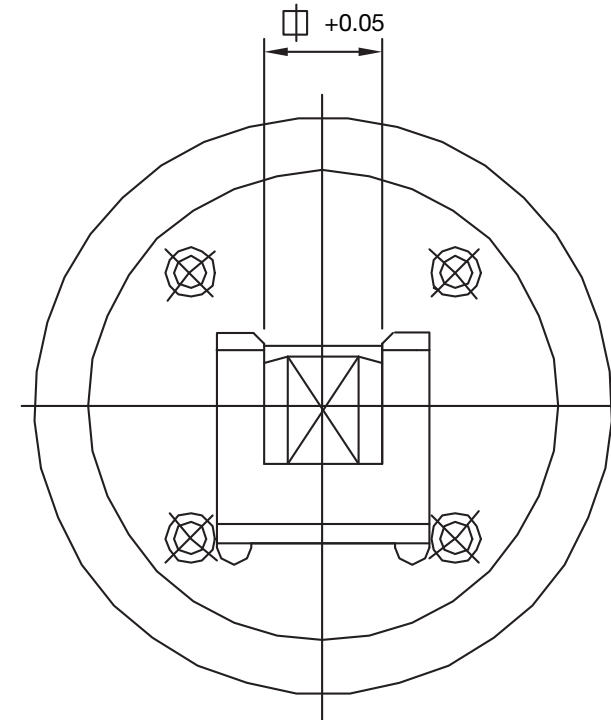
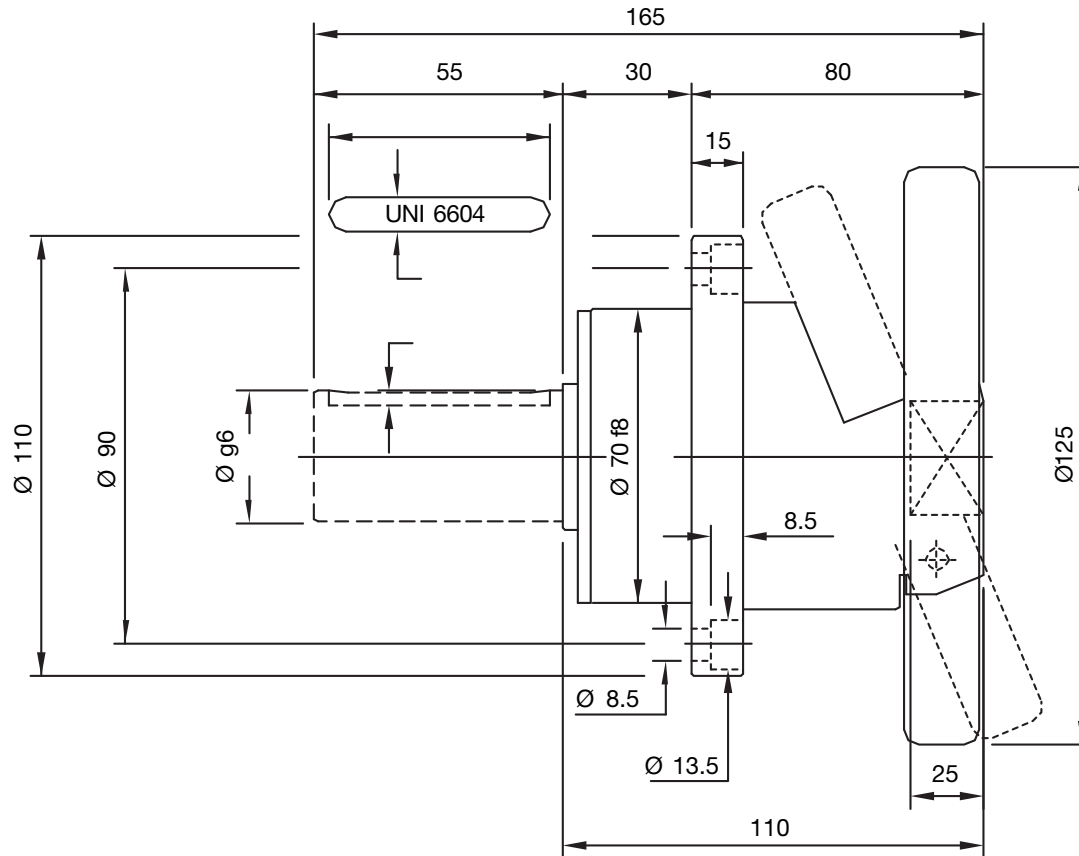
Tipo
Type

900 KLLF1

con alberino
with shaft extension

900 KLLF0

senza alberino
without shaft extension



A richiesta - On request:

- Tipo Supporto
Safety Chuck Type _____
- Quadro
Square Socket _____
- Ø Alberino
Shaft diameter _____

Protezione in acciaio standard - Steel finger guards are standard

Portata Max Coppia Supporti Capacity per Pair	Max Torsione Trasmissibile Max Torque Transmissible	Velocità Massima Max Speed	Quadri Standard Square Standard Socket	Ø Alberino Standard Standard Shaft Diameter
6000 N	235 N/M	300 RPM	□ 25 - □ 30	Ø 25 - Ø 30



SVECOM P.E.

Web site: www.svecom.com

SUPPORTO SAFETY CHUCK

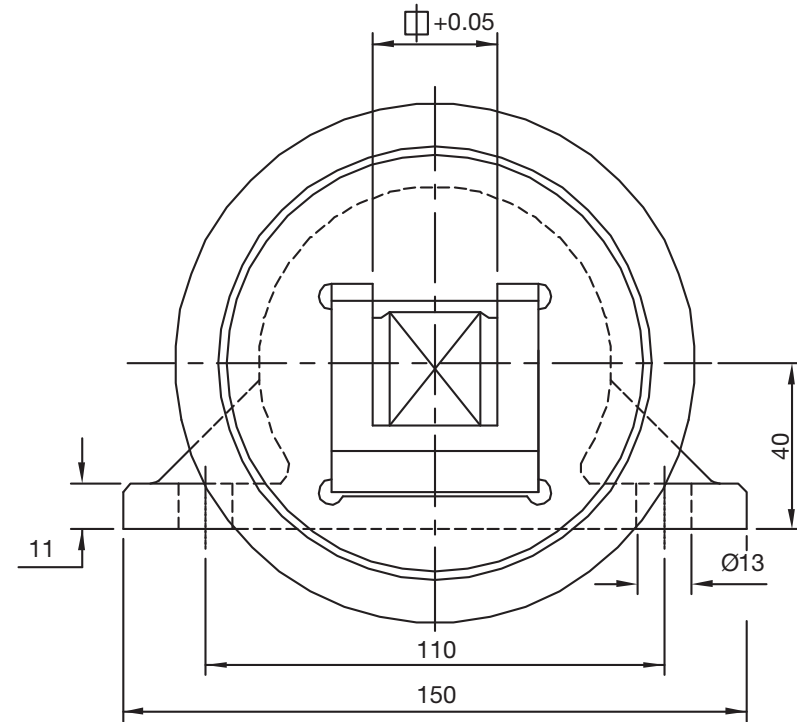
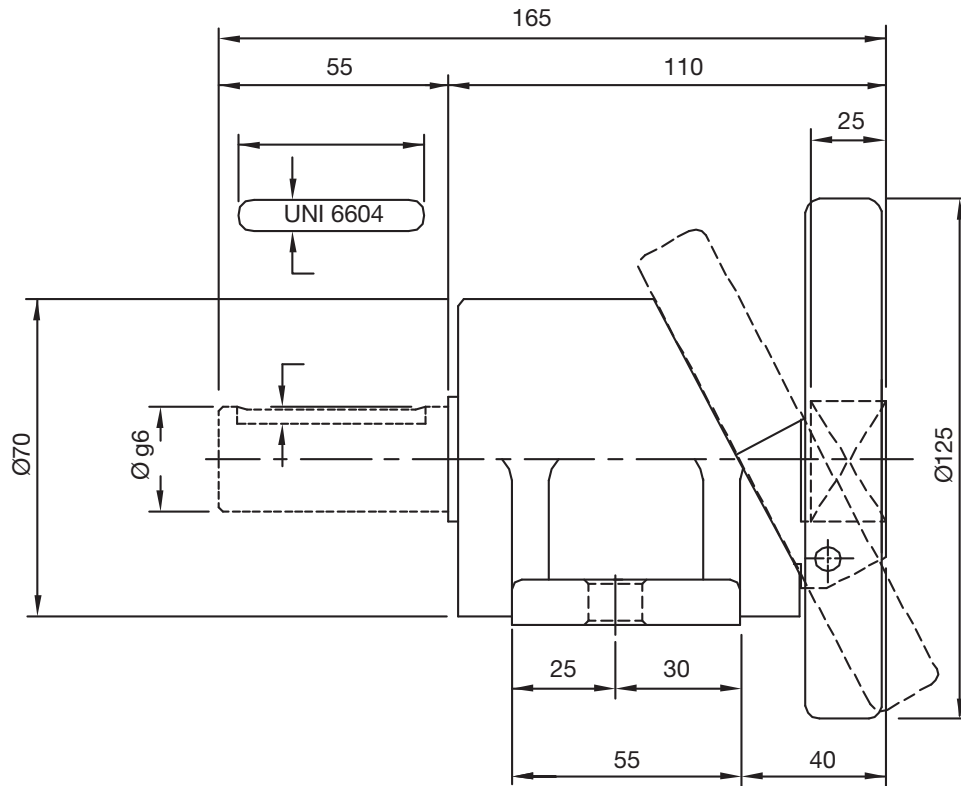
Tipo
Type

900 KLLP1

con alberino
with shaft extension

900 KLLP0

senza alberino
without shaft extension



A richiesta - On request:

- Tipo Supporto
Safety Chuck Type _____
- Quadro
Square Socket _____
- Ø Alberino
Shaft diameter _____

Protezione in acciaio standard - Steel finger guards are standard

Portata Max Coppia Supporti Capacity per Pair	Max Torsione Trasmissibile Max Torque Transmissible	Velocità Massima Max Speed	Quadri Standard Square Standard Socket	Ø Alberino Standard Standard Shaft Diameter
6000 N	235 N/M	300 RPM	□25 - □30	Ø 25 - Ø 30



SVECOM P.E.

Web site: www.svecom.com

SUPPORTO SAFETY CHUCK

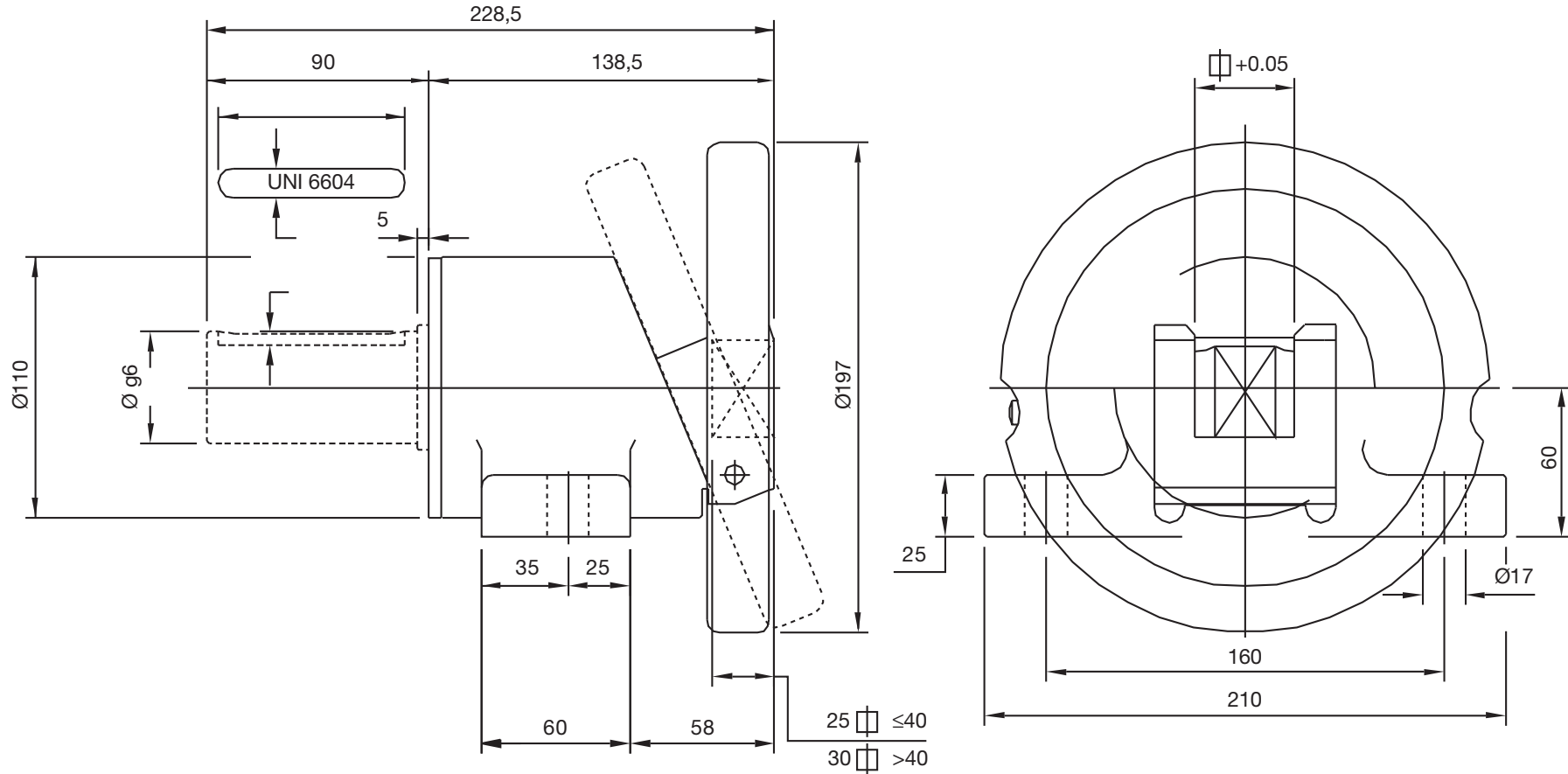
Tipo
Type

900 KLPP1

con alberino
with shaft extension

900 KLPP0

senza alberino
without shaft extension



A richiesta - On request:

- Tipo Supporto
Safety Chuck Type _____
- Quadro
Square Socket _____
- Ø Alberino
Shaft diameter _____

Protezione in acciaio standard - Steel finger guards are standard

Portata Max Coppia Supporti Capacity per Pair	Max Torsione Trasmissibile Max Torque Transmissible	Velocità Massima Max Speed	Quadri Standard Square Standard Socket	Ø Alberino Standard Standard Shaft Diameter
15600 N	1000 N/M	600 RPM	□ 30 - □ 50	Ø 25 - Ø 45



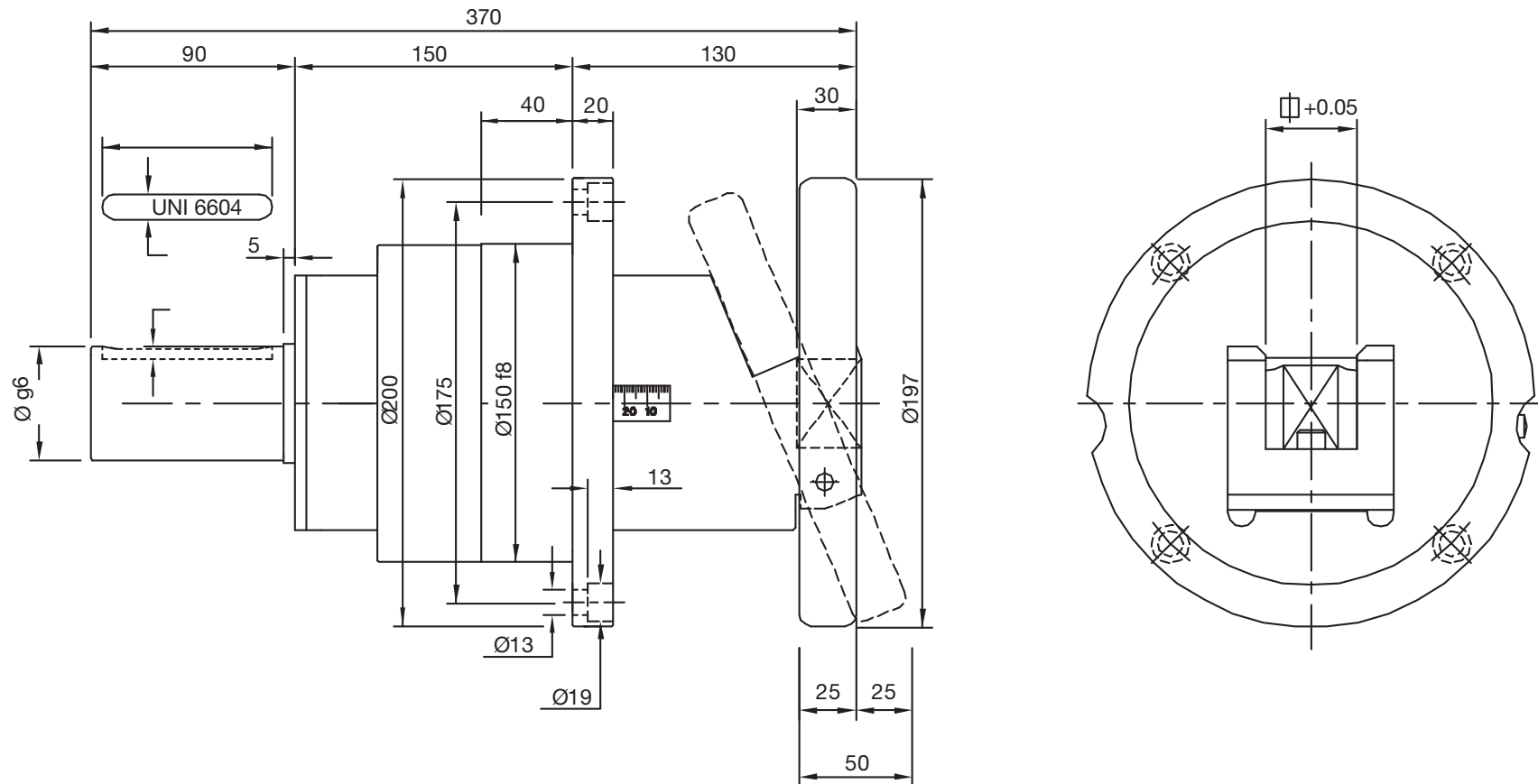
SVECOM P.E.

Web site: www.svecom.com

SUPPORTO SAFETY CHUCK

Tipo
Type

900 KLSF1 con alberino
with shaft extension



A richiesta - On request:

- Tipo Supporto
Safety Chuck Type _____
- Quadro
Square Socket _____
- Ø Alberino
Shaft diameter _____

Protezione in acciaio standard - Steel finger guards are standard

Portata Max Coppia Supporti Capacity per Pair	Max Torsione Trasmissibile Max Torque Transmissible	Velocità Massima Max Speed	Quadri Standard Square Standard Socket	Ø Alberino Standard Standard Shaft Diameter
15600 N	1000 N/M	600 RPM	□ 30 - □ 40	Ø 25 - Ø 45



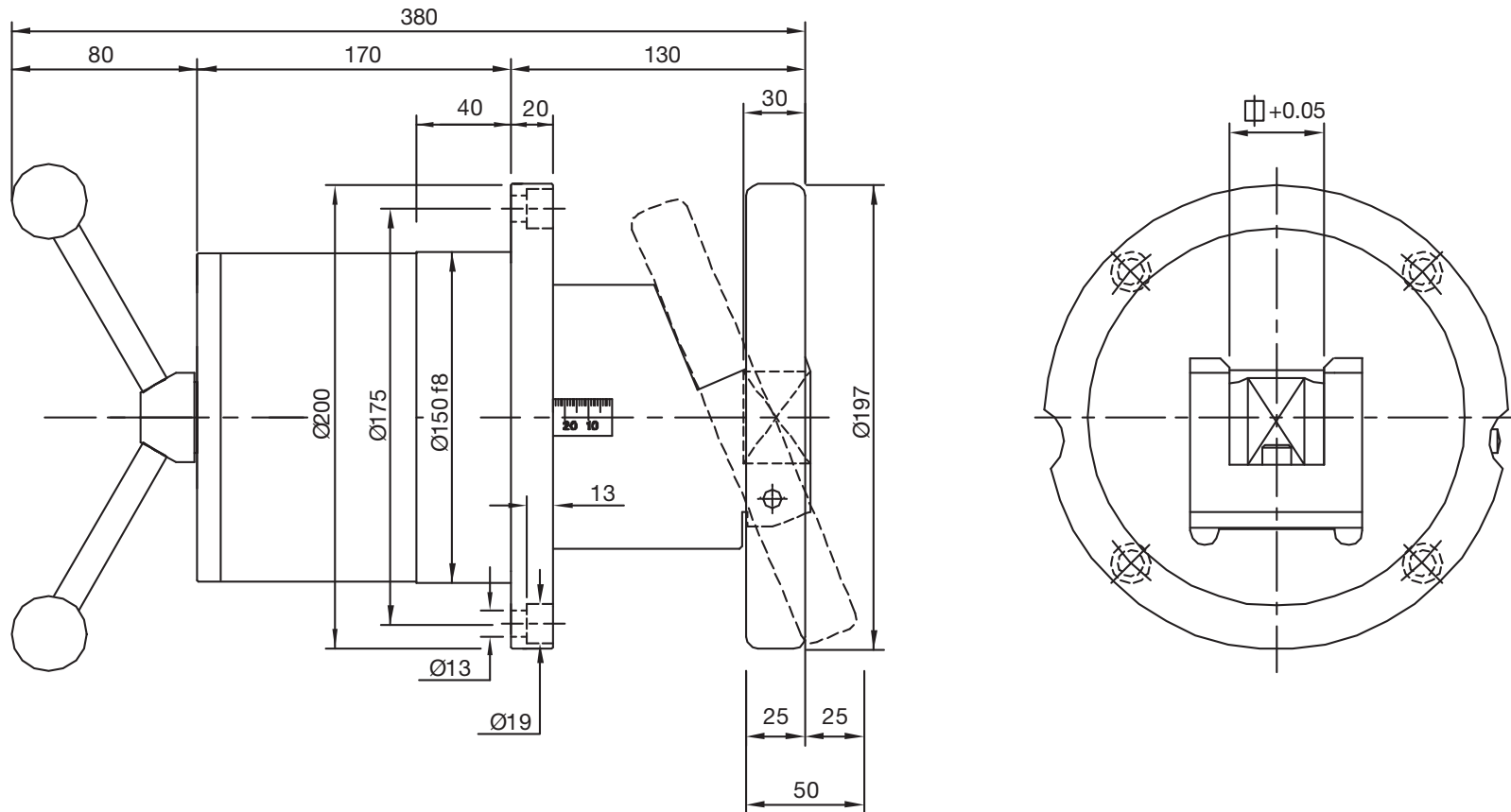
SVECOM P.E.

Web site: www.svecom.com

SUPPORTO SAFETY CHUCK

Tipo
Type

900 KLSF2 con volantino
with hanwheel



A richiesta - On request:

- Tipo Supporto
Safety Chuck Type _____
- Quadro
Square Socket _____
- Ø Alberino
Shaft diameter _____

Protezione in acciaio standard - Steel finger guards are standard

Portata Max Coppia Supporti Capacity per Pair	Max Torsione Trasmissibile Max Torque Transmissible	Velocità Massima Max Speed	Quadri Standard Square Standard Socket
15600 N	1000 N/M	600 RPM	⌀ 30 - ⌀ 40



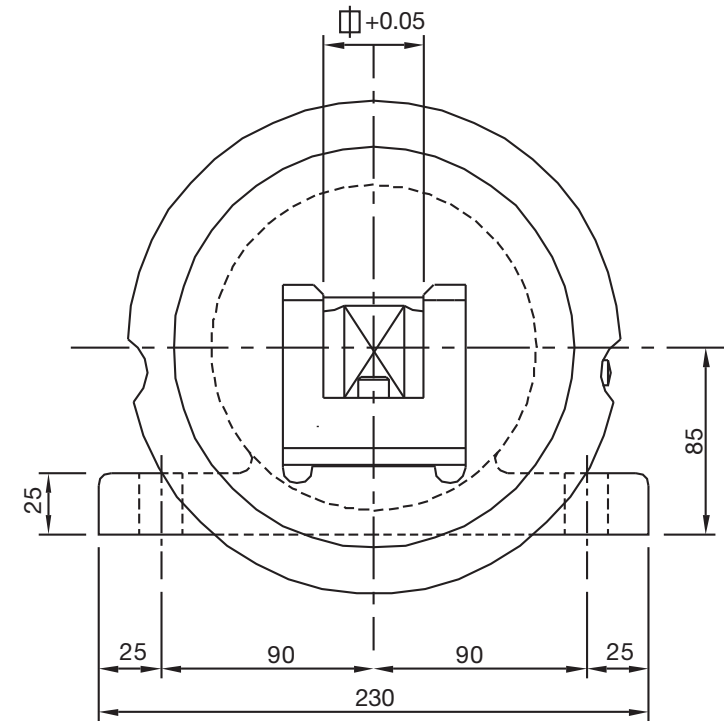
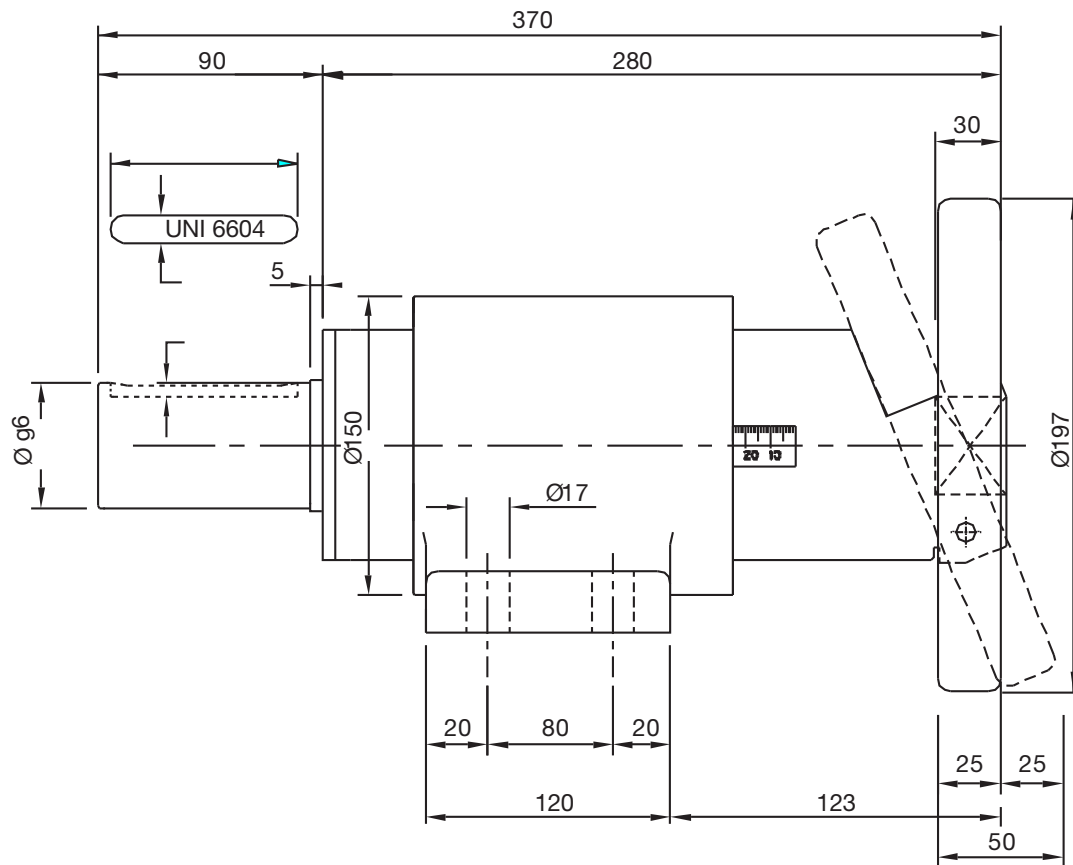
SVECOM P.E.

Web site: www.svecom.com

SUPPORTO SAFETY CHUCK

Tipo
Type

900 KLSP1 con alberino
with shaft extension



A richiesta - On request:

- Tipo Supporto
Safety Chuck Type _____
- Quadro
Square Socket _____
- Ø Alberino
Shaft diameter _____

Protezione in acciaio standard - Steel finger guards are standard

Portata Max Coppia Supporti Capacity per Pair	Max Torsione Trasmissibile Max Torque Transmissible	Velocità Massima Max Speed	Quadri Standard Square Standard Socket	Ø Alberino Standard Standard Shaft Diameter
15600 N	1000 N/M	600 RPM	□ 30 - □ 40	Ø 25 - Ø 45



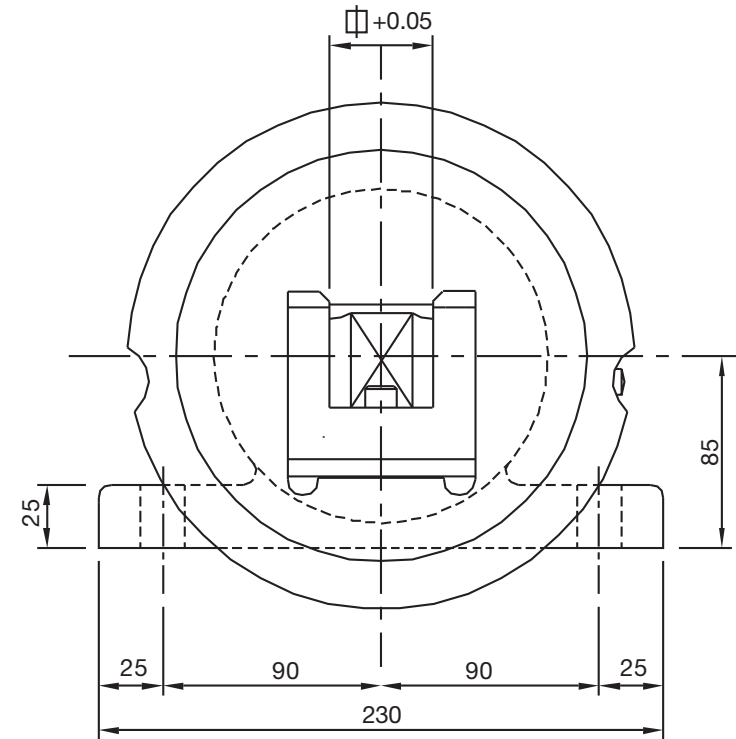
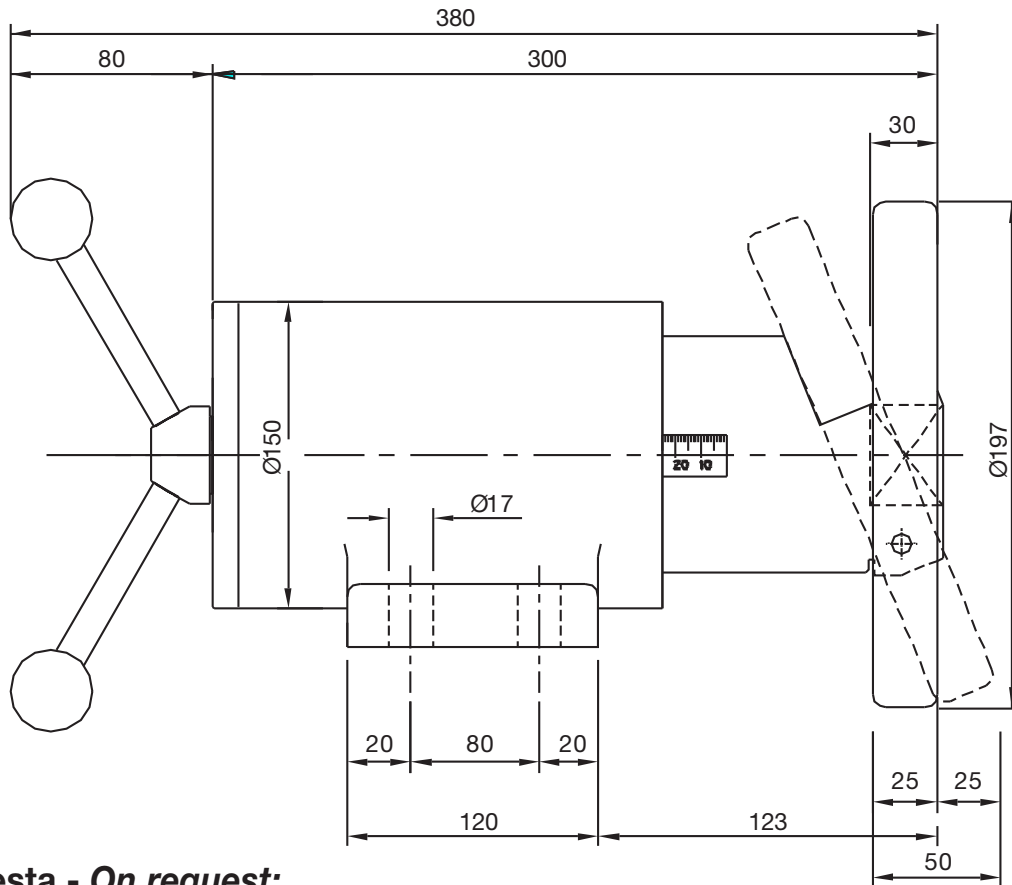
SVECOM P.E.

Web site: www.svecom.com

SUPPORTO SAFETY CHUCK

Tipo
Type

900 KLSP2 con volantino
with handwheel



A richiesta - On request:

- Tipo Supporto
Safety Chuck Type _____
- Quadro
Square Socket _____
- Ø Alberino
Shaft diameter _____

Protezione in acciaio standard - Steel finger guards are standard

Portata Max Coppia Supporti Capacity per Pair	Max Torsione Trasmissibile Max Torque Transmissible	Velocità Massima Max Speed	Quadri Standard Square Standard Socket
15600 N	1000 N/M	600 RPM	⌀ 30 - ⌀ 40



SVECOM P.E.

Web site: www.svecom.com

SUPPORTO SAFETY CHUCK

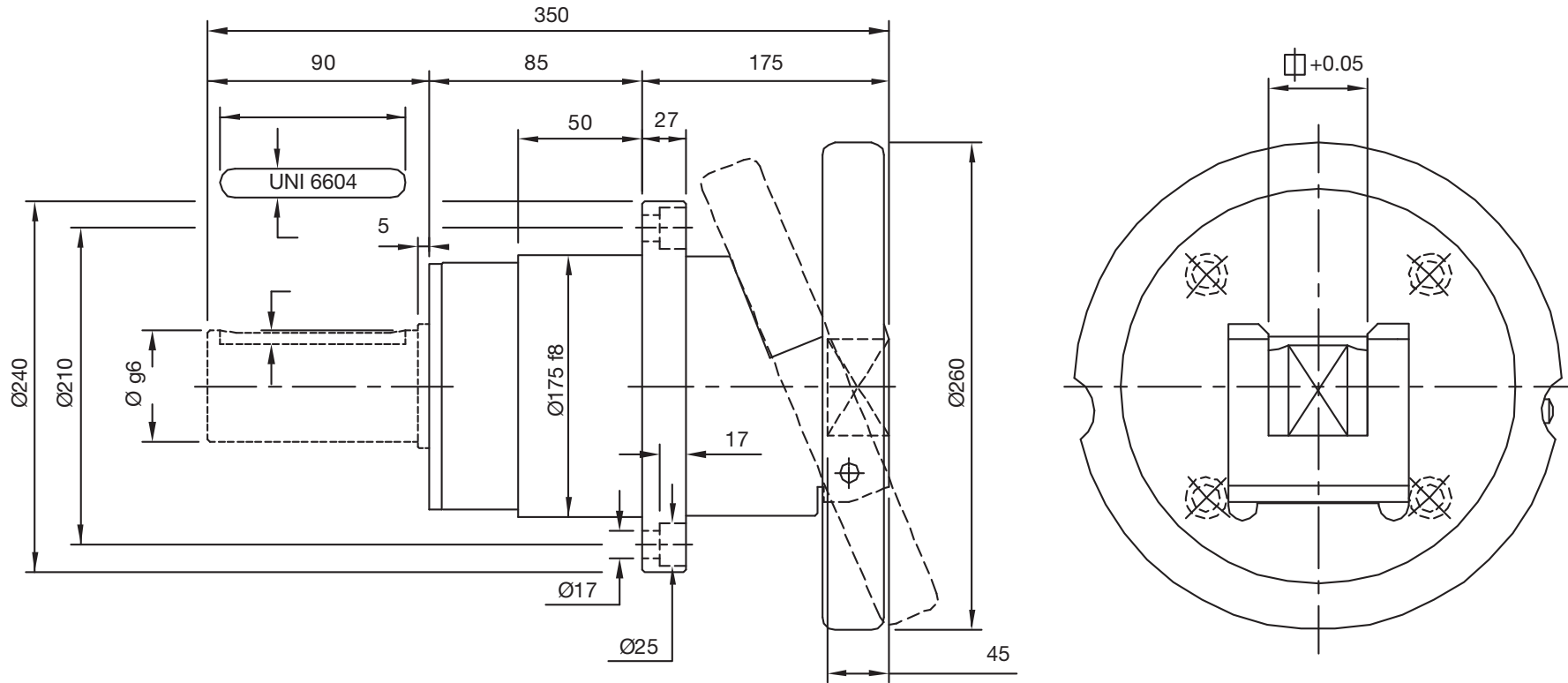
Tipo
Type

900 KLUF1

con alberino
with shaft extension

900 KLUF0

senza alberino
without shaft extension



A richiesta - On request:

- Tipo Supporto
Safety Chuck Type _____
- Quadro
Square Socket _____
- Ø Alberino
Shaft diameter _____

Protezione in acciaio standard - Steel finger guards are standard

Portata Max Coppia Supporti Capacity per Pair	Max Torsione Trasmissibile Max Torque Transmissible	Velocità Massima Max Speed	Quadri Standard Square Standard Socket	Ø Alberino Standard Standard Shaft Diameter
60000 N	2500 N/M	1000 RPM	⌀60 - ⌀80	Ø 50 - Ø 60



SVECOM P.E.

Web site: www.svecom.com

SUPPORTO SAFETY CHUCK

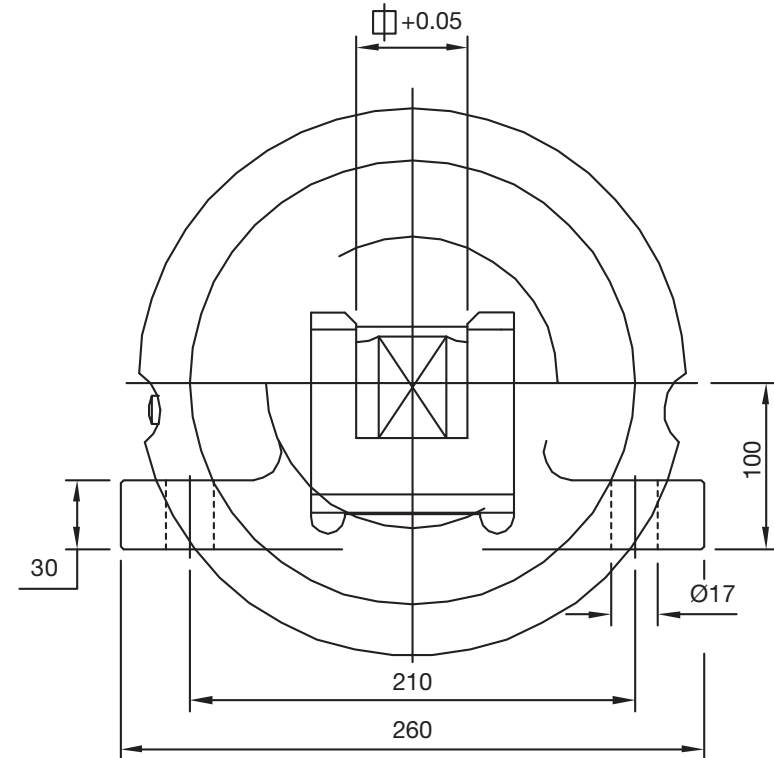
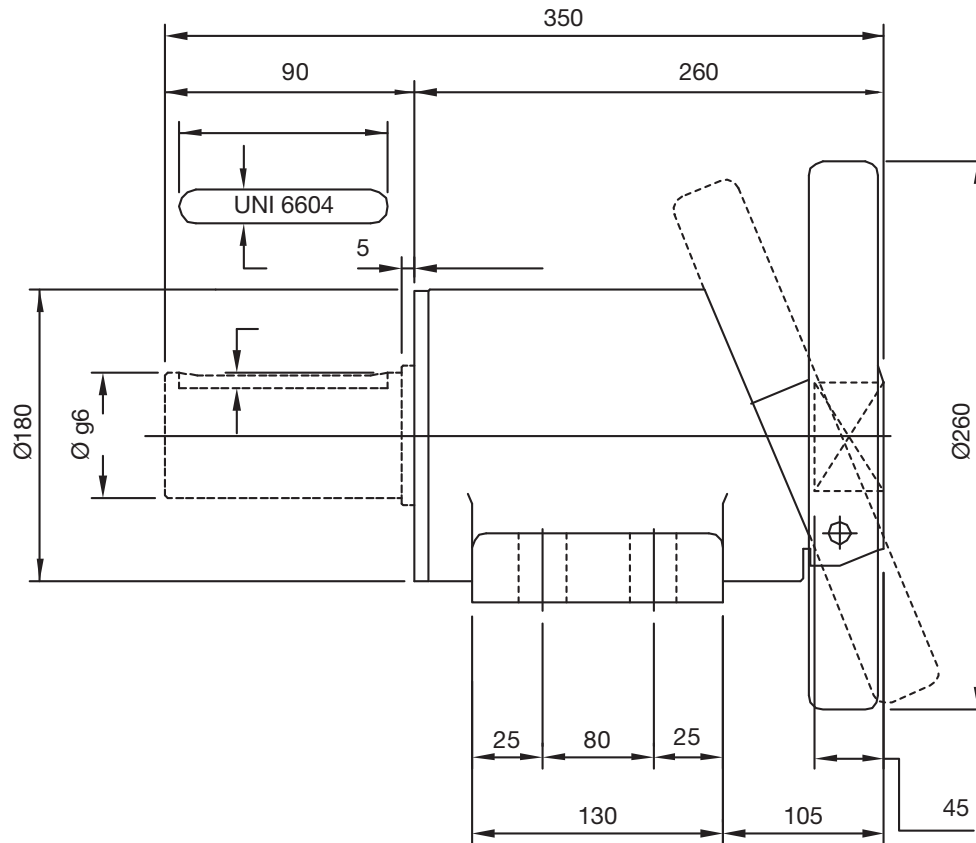
Tipo
Type

900 KLUP1

con alberino
with shaft extension

900 KLUP0

senza alberino
without shaft extension



A richiesta - On request:

- Tipo Supporto
Safety Chuck Type _____
- Quadro
Square Socket _____
- Ø Alberino
Shaft diameter _____

Protezione in acciaio standard - Steel finger guards are standard

Portata Max Coppia Supporti Capacity per Pair	Max Torsione Trasmissibile Max Torque Transmissible	Velocità Massima Max Speed	Quadri Standard Square Standard Socket	Ø Alberino Standard Standard Shaft Diameter
60000 N	2500 N/M	1000 RPM	□ 60 - □ 80	Ø 50 - Ø 60



SVECOM P.E.

Web site: www.svecom.com

SUPPORTO SAFETY CHUCK

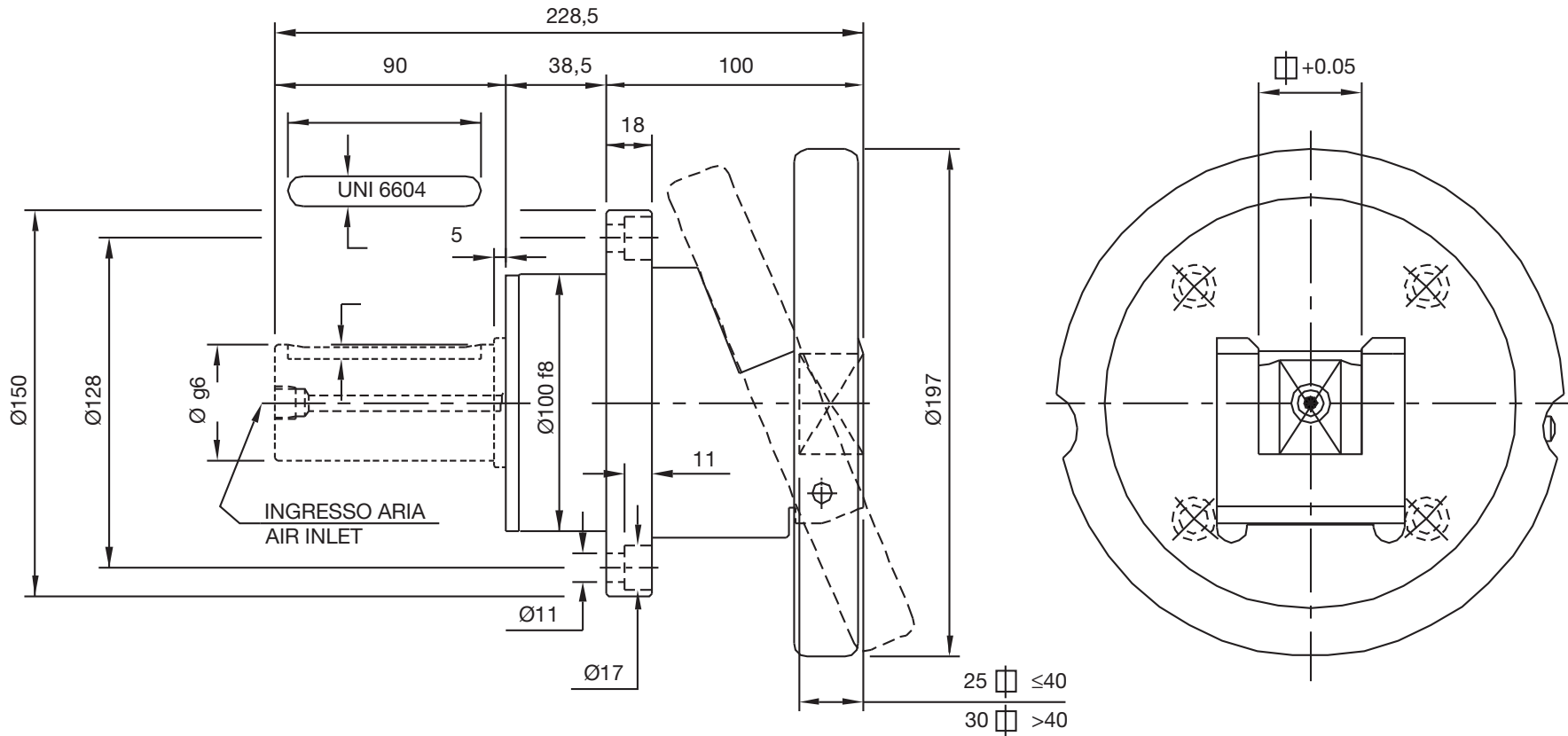
Tipo
Type

900 KLAPF1

con alberino
with shaft extension

900 KLAPF0

senza alberino
without shaft extension



A richiesta - On request:

- Tipo Supporto
Safety Chuck Type _____
- Quadro
Square Socket _____
- Ø Alberino
Shaft diameter _____

Protezione in acciaio standard - Steel finger guards are standard

Portata Max Coppia Supporti Capacity per Pair	Max Torsione Trasmissibile Max Torque Transmissible	Velocità Massima Max Speed	Quadri Standard Square Standard Socket	Ø Alberino Standard Standard Shaft Diameter
15600 N	1000 N/M	600 RPM	$\square 30 - \square 50$	Ø 25 - Ø 45



SVECOM P.E.

Web site: www.svecom.com

SUPPORTO SAFETY CHUCK

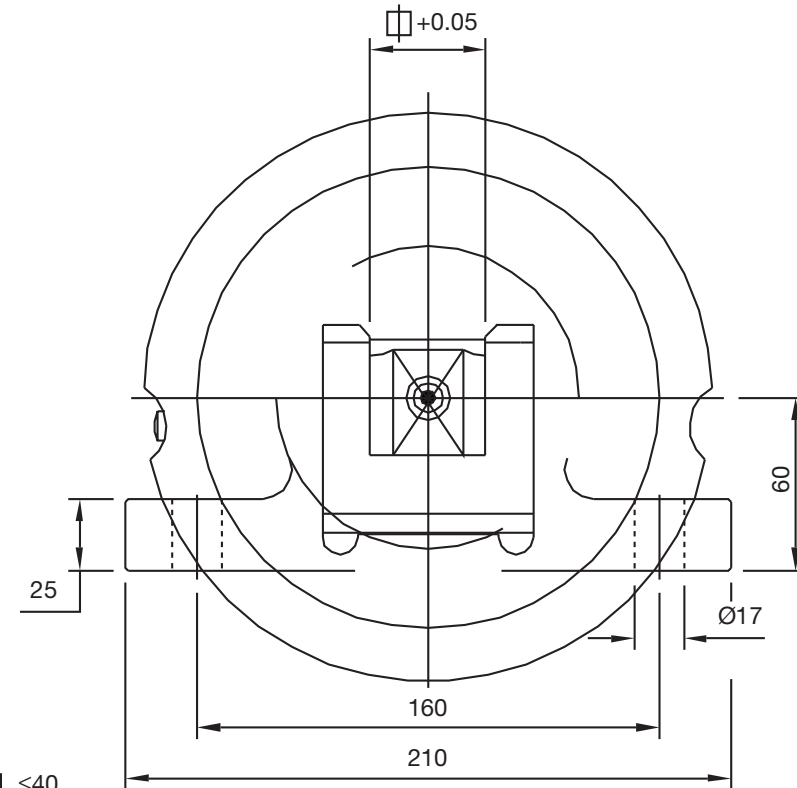
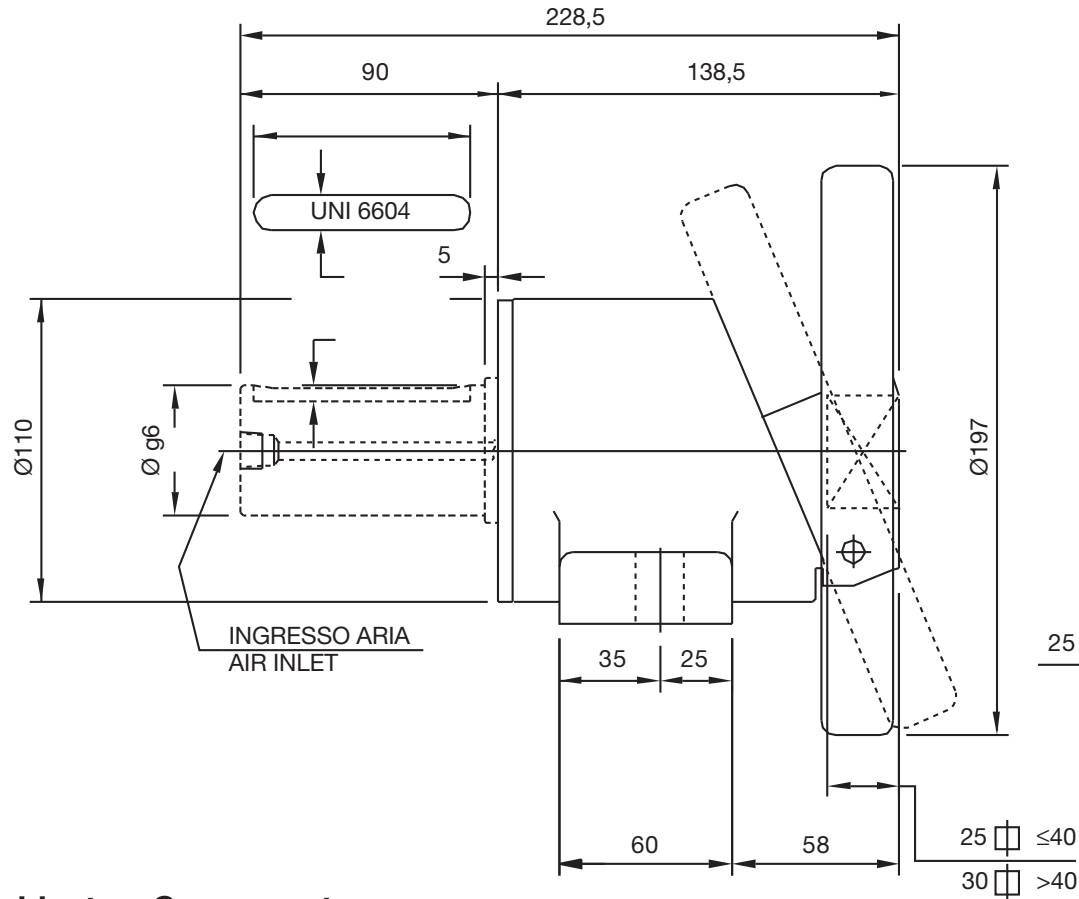
Tipo
Type

900 KLAPP1

con alberino
with shaft extension

900 KLAPP0

senza alberino
without shaft extension



A richiesta - On request:

- Tipo Supporto
Safety Chuck Type _____
- Quadro
Square Socket _____
- Ø Alberino
Shaft diameter _____

Protezione in acciaio standard - Steel finger guards are standard

Portata Max Coppia Supporti Capacity per Pair	Max Torsione Trasmissibile Max Torque Transmissible	Velocità Massima Max Speed	Quadri Standard Square Standard Socket	Ø Alberino Standard Standard Shaft Diameter
15600 N	1000 N/M	600 RPM	□ 30 - □ 50	Ø 25 - Ø 45



SVECOM P.E.

Web site: www.svecom.com

SUPPORTO SAFETY CHUCK

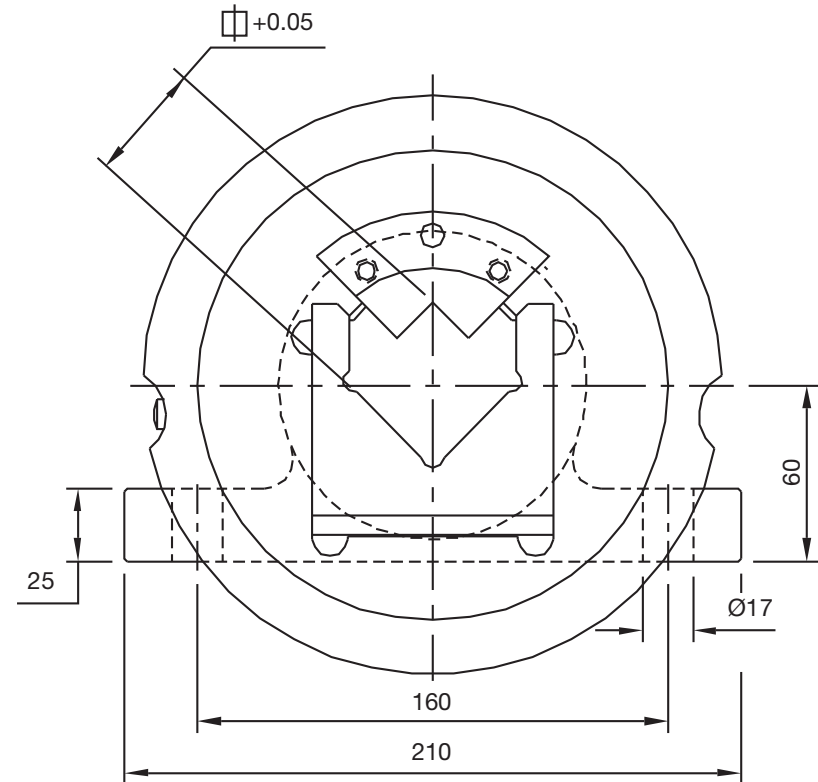
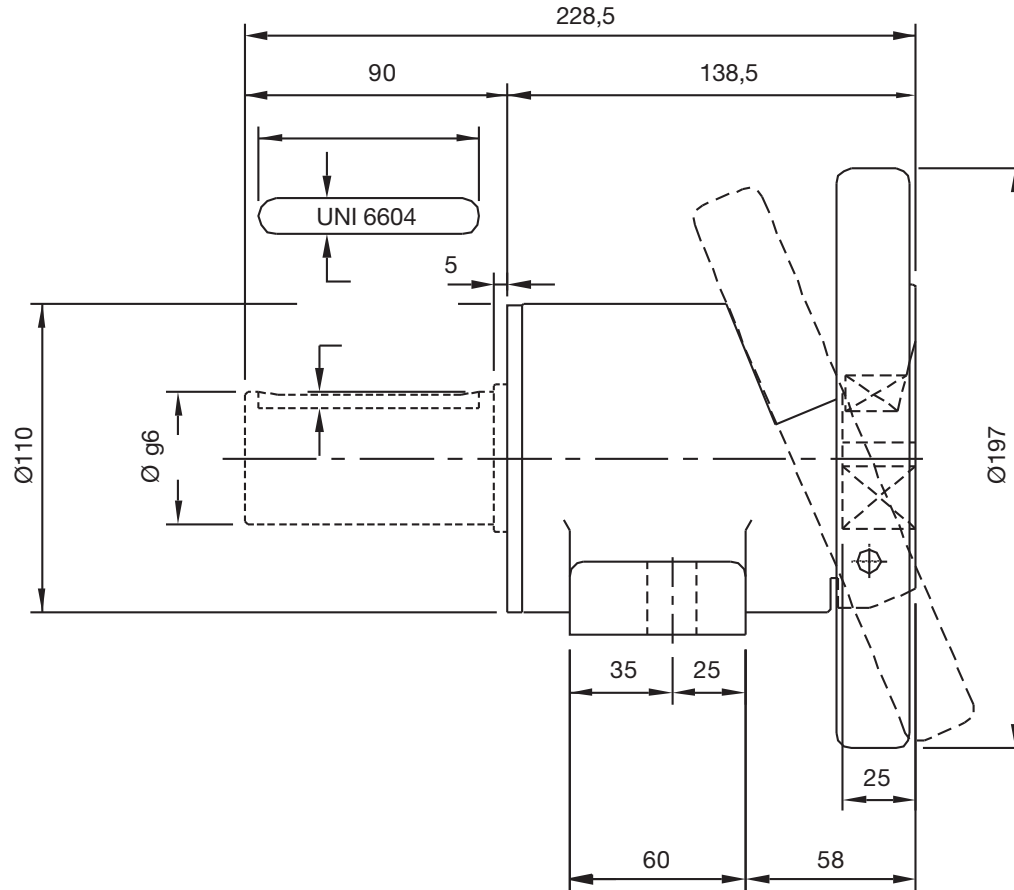
Tipo
Type

910 KLPP1

con alberino
with shaft extension

910 KLPP0

senza alberino
without shaft extension



A richiesta - On request:

- Tipo Supporto
Safety Chuck Type _____
- Quadro
Square Socket _____
- Ø Alberino
Shaft diameter _____

Protezione in acciaio standard - Steel finger guards are standard

Portata Max Coppia Supporti Capacity per Pair	Max Torsione Trasmissibile Max Torque Transmissible	Velocità Massima Max Speed	Quadri Standard Square Standard Socket	Ø Alberino Standard Standard Shaft Diameter
15600 N	1000 N/M	600 RPM	□ 30 - □ 40	Ø 25 - Ø 45



SVECOM P.E.

Web site: www.svecom.com

SUPPORTO SAFETY CHUCK

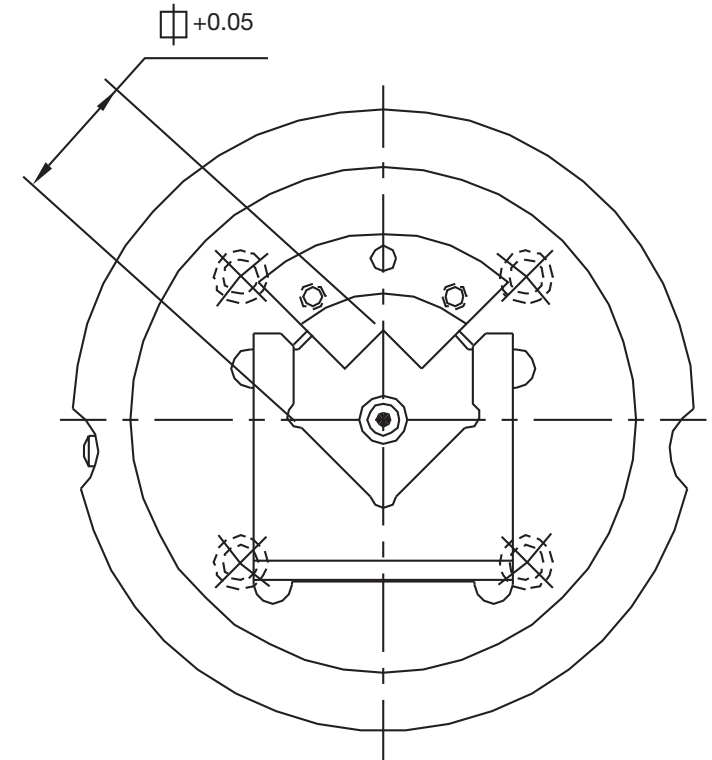
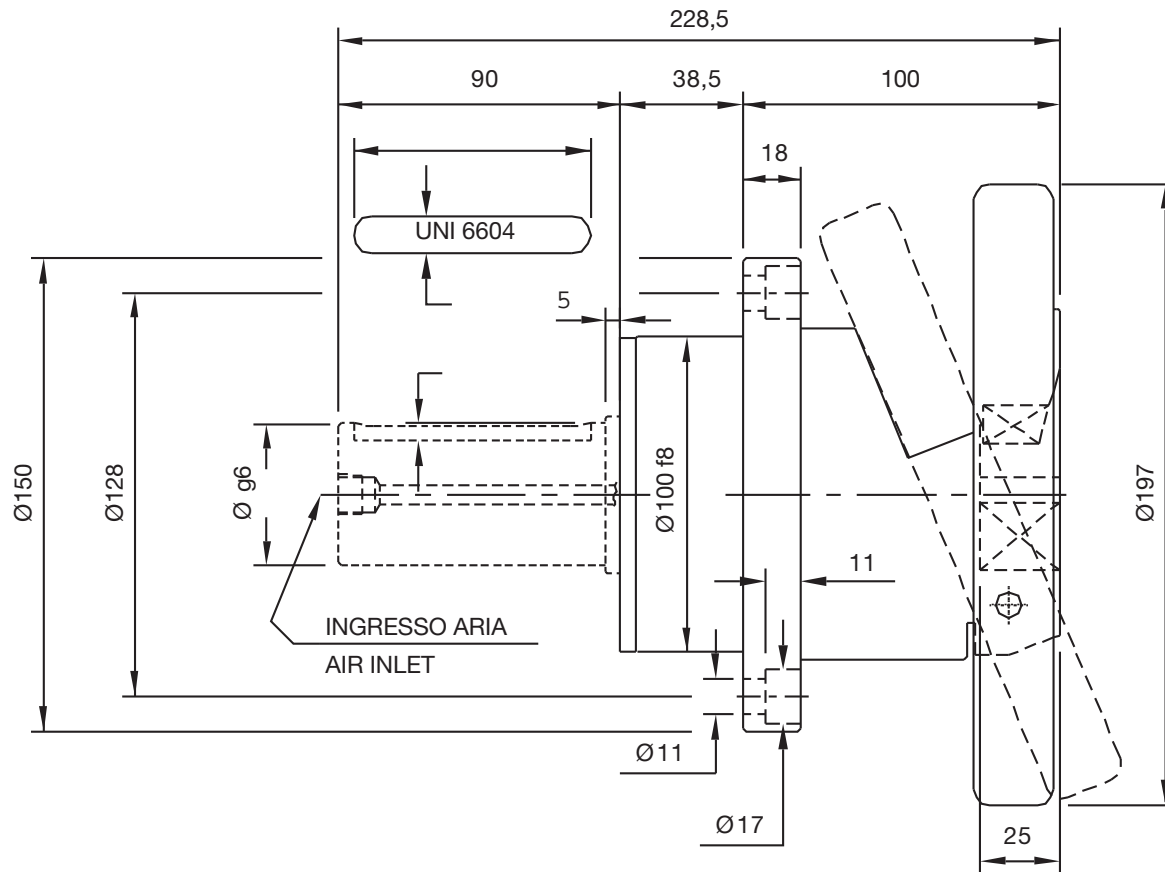
Tipo
Type

910 KLAPF1

con alberino
with shaft extension

910 KLAPF0

senza alberino
without shaft extension



A richiesta - On request:

- Tipo Supporto
Safety Chuck Type _____
- Quadro
Square Socket _____
- Ø Alberino
Shaft diameter _____

Protezione in acciaio standard - Steel finger guards are standard

Portata Max Coppia Supporti Capacity per Pair	Max Torsione Trasmissibile Max Torque Transmissible	Velocità Massima Max Speed	Quadri Standard Square Standard Socket	Ø Alberino Standard Standard Shaft Diameter
15600 N	1000 N/M	600 RPM	□ 30 - □ 50	Ø 25 - Ø 45



SVECOM P.E. SUPPORTO SAFETY CHUCK

Web site: www.svecom.com

Testa rotante / rotary head

905 PNPf1TR

Tipo
Type

905 PNPf0TR

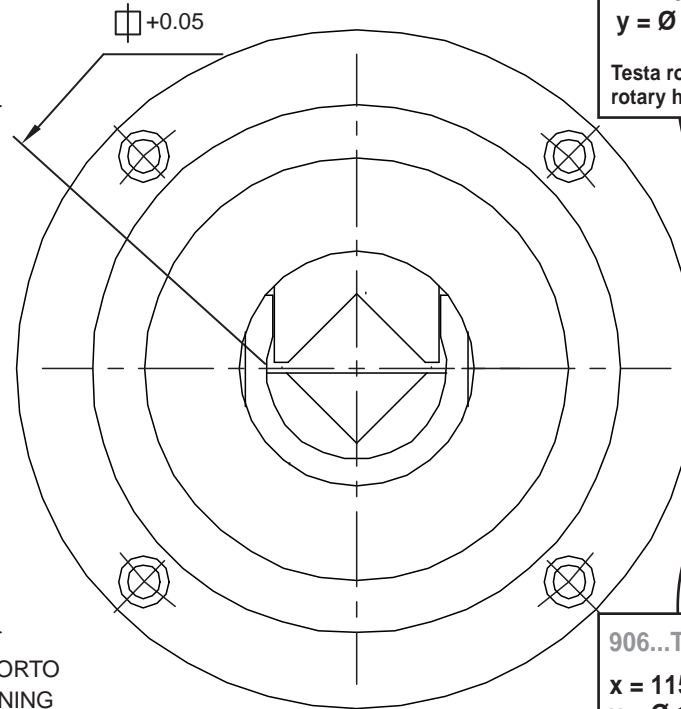
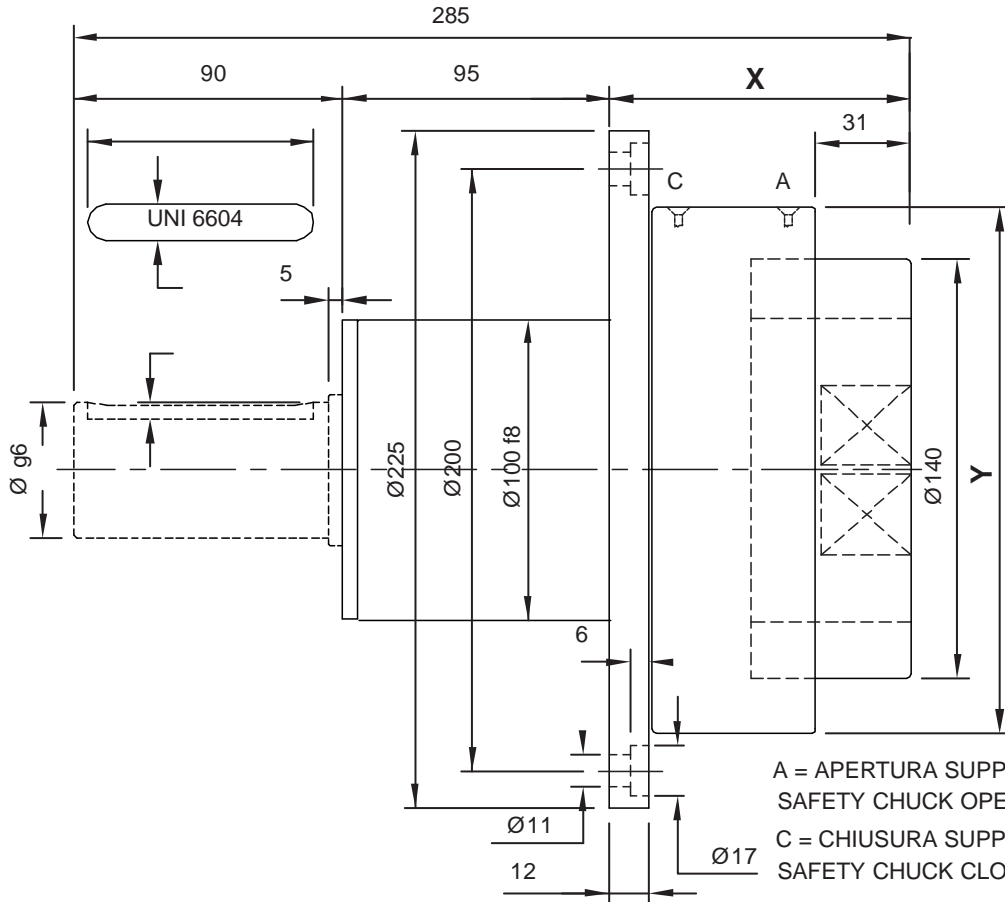
Testa fissa / stationary head

906 PNPf1TF

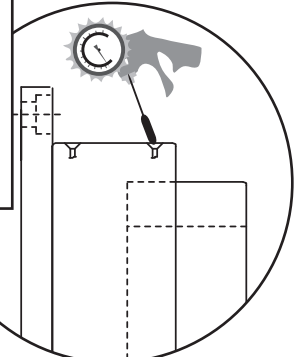
906 PNPf0TF

con alberino
with shaft extension

senza alberino
without shaft extension

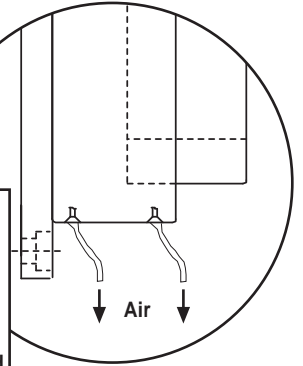


905...TR
x = 100
y = Ø 175
Testa rotante
rotary head



Gonfiaggio manuale
Manual inflate

906...TF
x = 115
y = Ø 180
Testa fissa
stationary head



Gonfiaggio automatico
Automatic inflate

A richiesta - On request:

- Tipo Supporto
Safety Chuck Type _____
- Quadro
Square Socket _____
- Ø Alberino
Shaft diameter _____

Protezione in acciaio standard - Steel finger guards are standard

Portata Max Coppia Supporti Capacity per Pair	Max Torsione Trasmissibile Max Torque Transmissible	Velocità Massima Max Speed	Quadri Standard Square Standard Socket	Ø Alberino Standard Standard Shaft Diameter
15600 N	1000 N/M	600 RPM	□ 30 - □ 40	Ø 25 - Ø 45



SVECOM P.E.

Web site: www.svecom.com

SUPPORTO SAFETY CHUCK

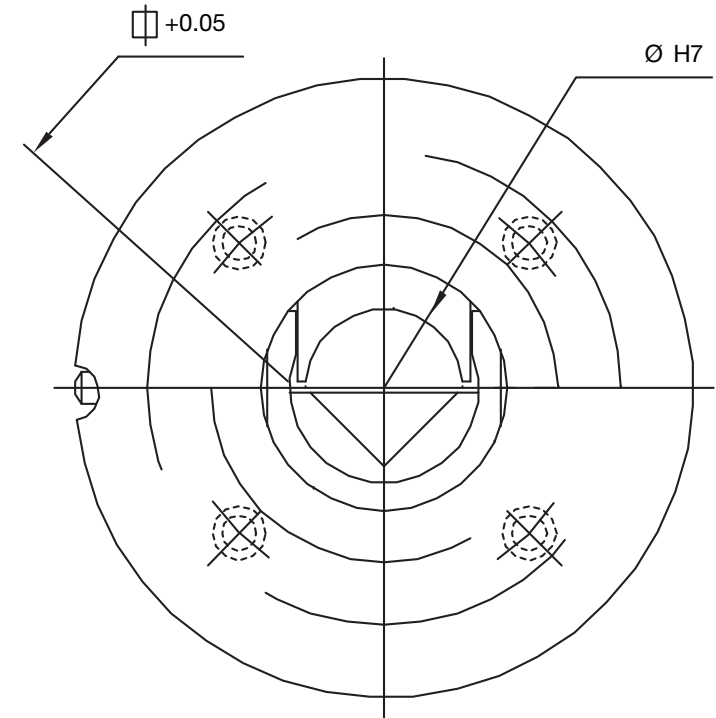
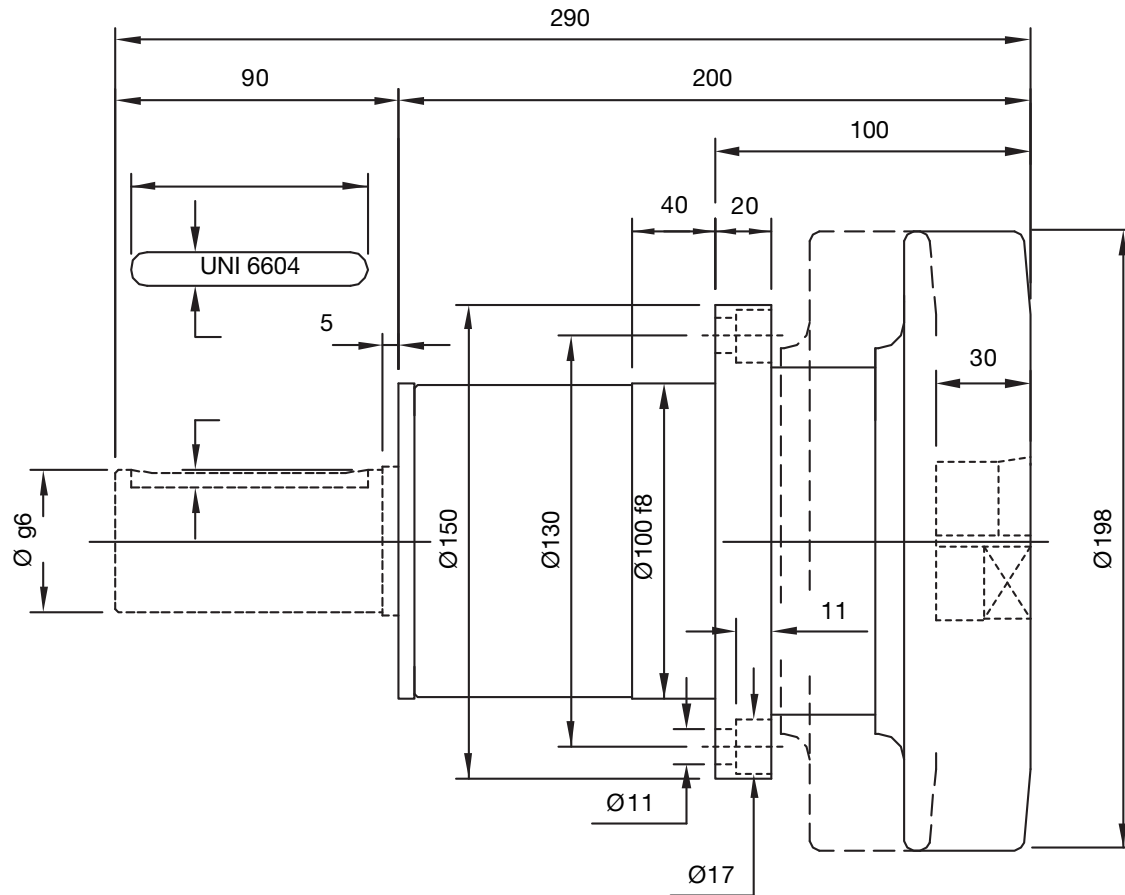
Tipo
Type

925 KLLF1

con alberino
with shaft extension

925 KLLF0

senza alberino
without shaft extension



A richiesta - On request:

- Tipo Supporto
Safety Chuck Type _____
- Quadro
Square Socket _____
- Ø Alberino
Shaft diameter _____

Protezione in plastica standard - Plastic finger guards are standard

Portata Max Coppia Supporti Capacity per Pair	Max Torsione Trasmissibile Max Torque Transmissible	Velocità Massima Max Speed	Quadri Standard Square Standard Socket	Ø Alberino Standard Standard Shaft Diameter
15600 N	1000 N/M	1200 RPM	⌀ 30 - Ø 42 ⌀ 35 - Ø 50	Ø 25 - Ø 45



SVECOM P.E.

Web site: www.svecom.com

SUPPORTO SAFETY CHUCK

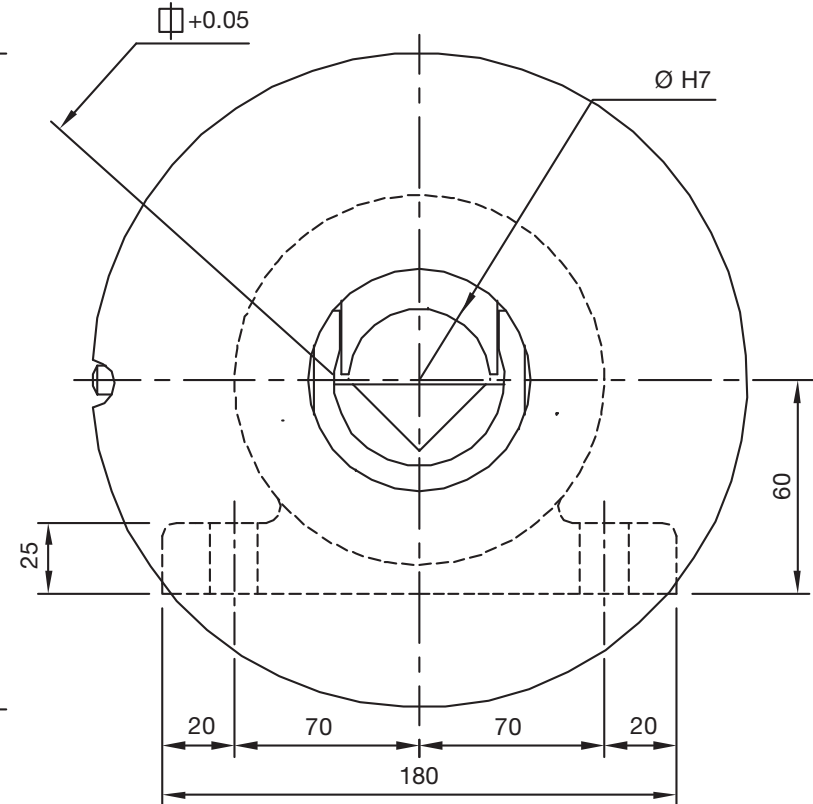
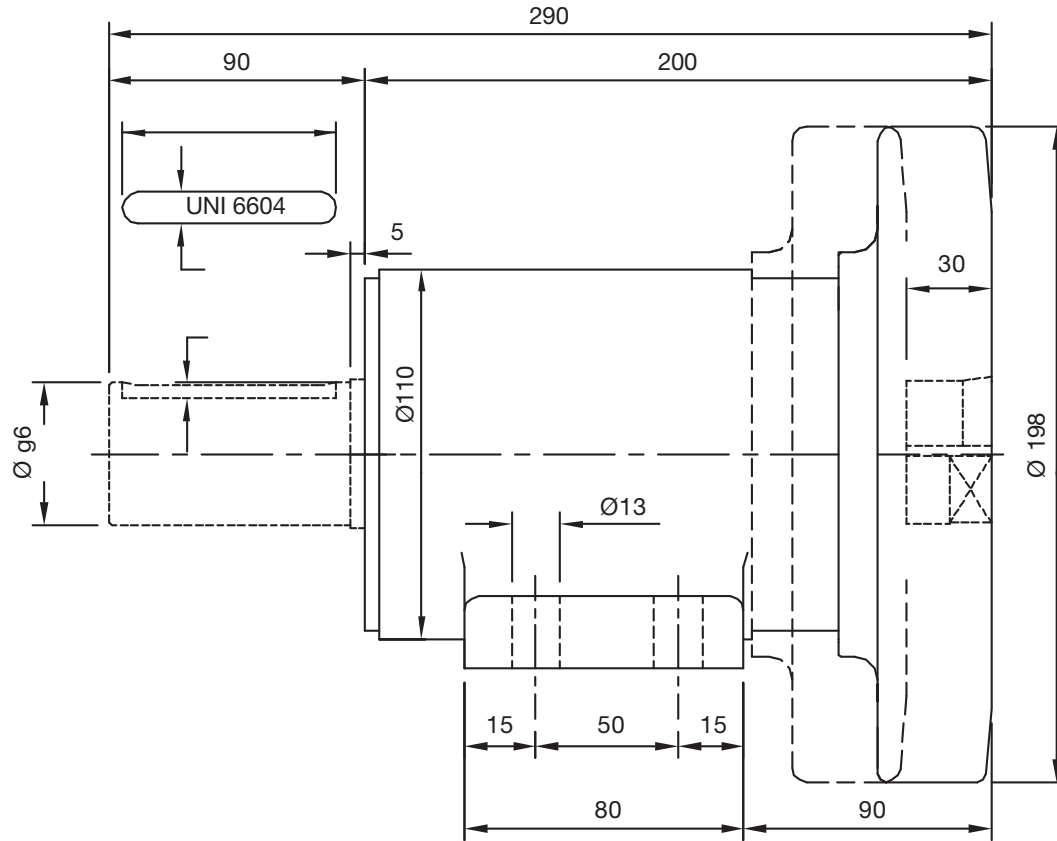
Tipo
Type

925 KLLP1

con alberino
with shaft extension

925 KLLP0

senza alberino
without shaft extension



A richiesta - On request:

- Tipo Supporto
Safety Chuck Type _____
- Quadro
Square Socket _____
- \varnothing Alberino
Shaft diameter _____

Protezione in plastica standard - Plastic finger guards are standard

Portata Max Coppia Supporti Capacity per Pair	Max Torsione Trasmissibile Max Torque Transmissible	Velocità Massima Max Speed	Quadri Standard Square Standard Socket	\varnothing Alberino Standard Standard Shaft Diameter
15600 N	1000 N/M	1200 RPM	$\varnothing 30 - \varnothing 42$ $\varnothing 35 - \varnothing 50$	$\varnothing 25 - \varnothing 45$



SVECOM P.E.

Web site: www.svecom.com

SUPPORTO SAFETY CHUCK

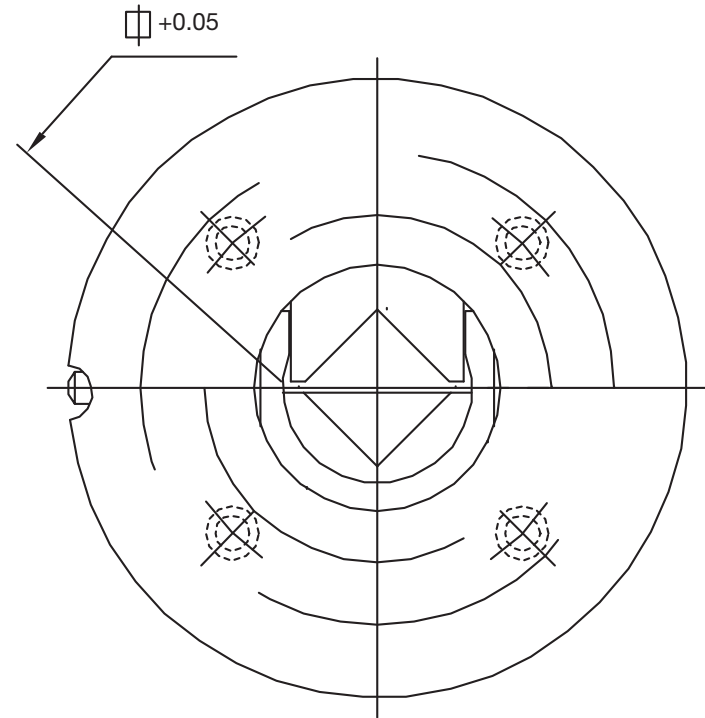
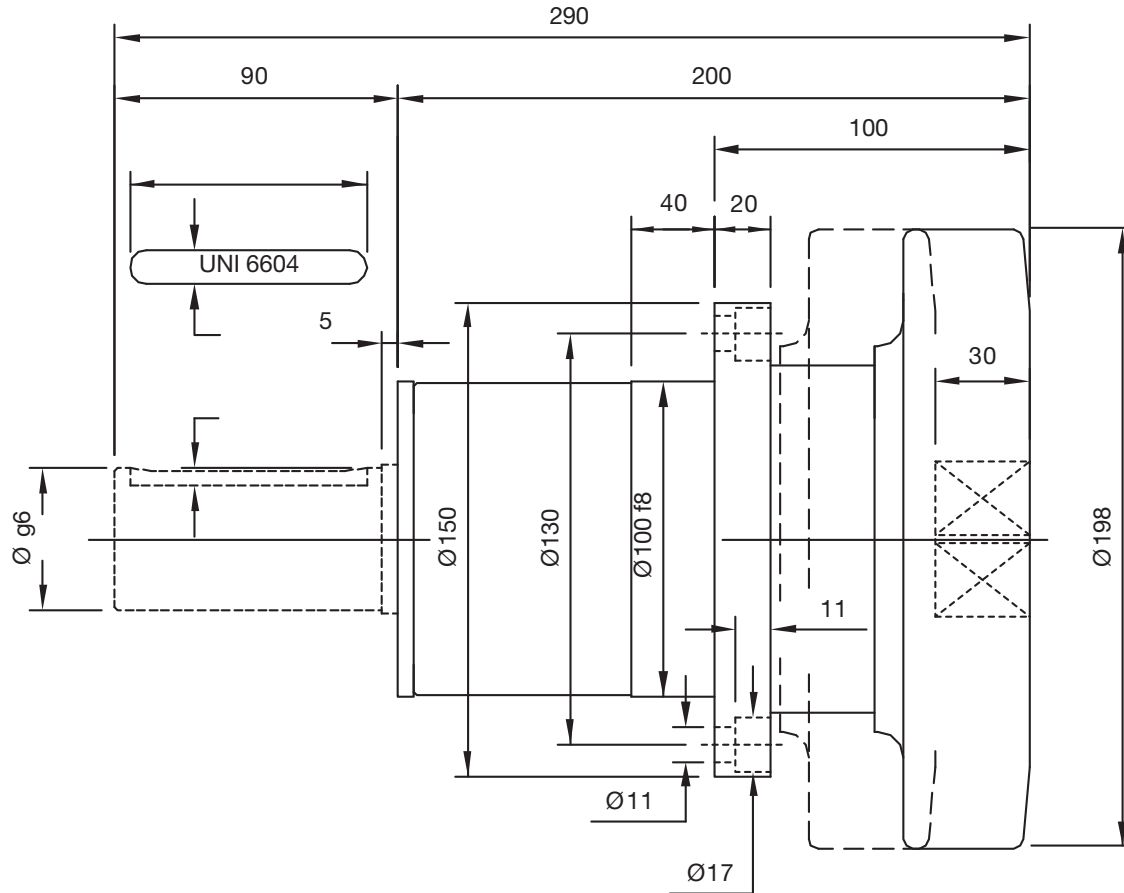
Tipo
Type

925 KLLF1Q

con alberino
with shaft extension

925 KLLF0Q

senza alberino
without shaft extension



A richiesta - On request:

- Tipo Supporto
Safety Chuck Type _____
- Quadro
Square Socket _____
- Ø Alberino
Shaft diameter _____

Protezione in plastica standard - Plastic finger guards are standard

Portata Max Coppia Supporti Capacity per Pair	Max Torsione Trasmissibile Max Torque Transmissible	Velocità Massima Max Speed	Quadri Standard Square Standard Socket	Ø Alberino Standard Standard Shaft Diameter
15600 N	1000 N/M	1200 RPM	⌀ 30 - ⌀ 35	Ø 25 - Ø 45



SVECOM P.E.

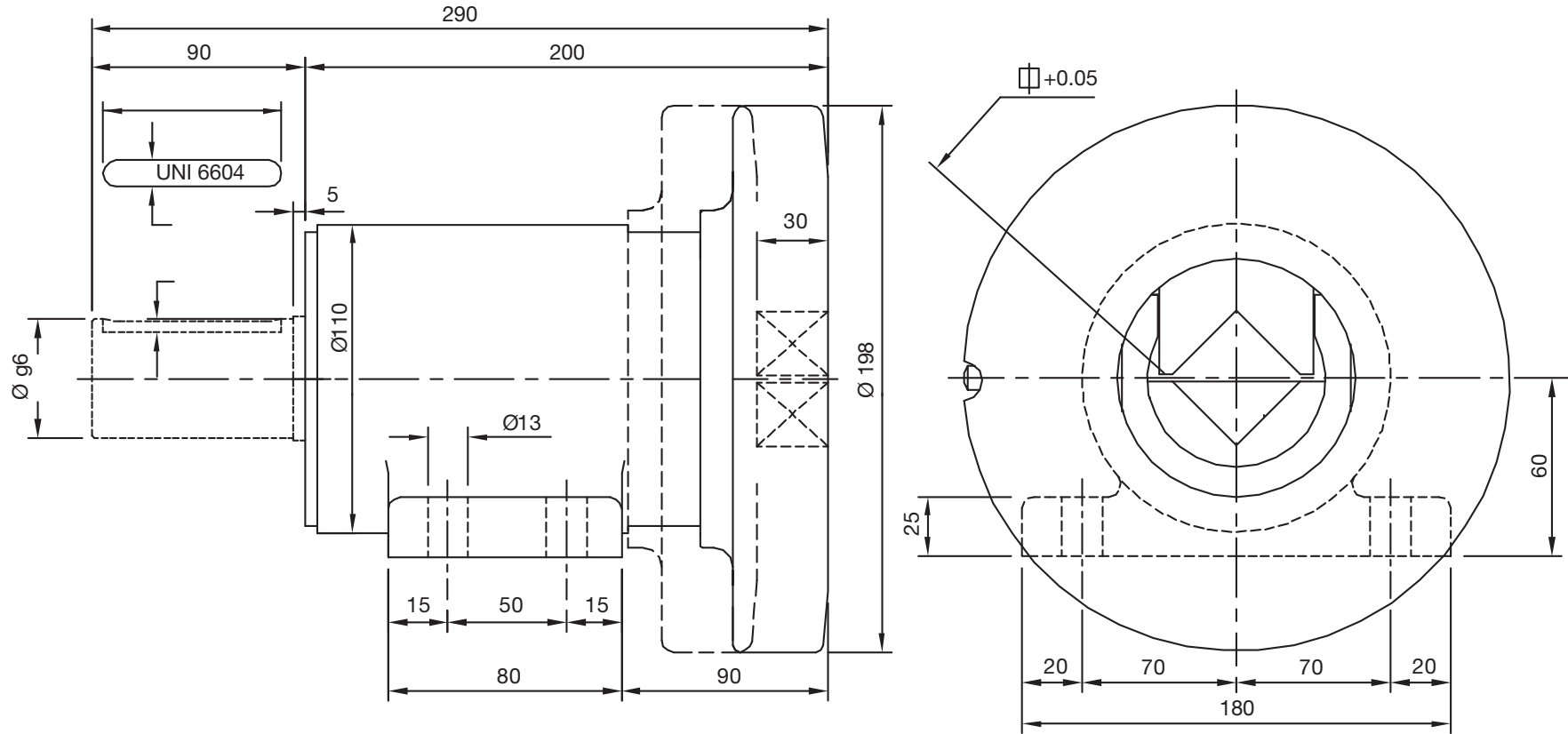
Web site: www.svecom.com

SUPPORTO SAFETY CHUCK

Tipo
Type

925 KLLP1Q con alberino
with shaft extension

925 KLLP0Q senza alberino
without shaft extension



A richiesta - On request:

- Tipo Supporto
Safety Chuck Type _____
- Quadro
Square Socket _____
- \varnothing Alberino
Shaft diameter _____

Protezione in plastica standard - Plastic finger guards are standard

Portata Max Coppia Supporti Capacity per Pair	Max Torsione Trasmissibile Max Torque Transmissible	Velocità Massima Max Speed	Quadri Standard Square Standard Socket	\varnothing Alberino Standard Standard Shaft Diameter
15600 N	1000 N/M	1200 RPM	$\varnothing 30 - \varnothing 35$	$\varnothing 25 - \varnothing 45$



SVECOM P.E.

Web site: www.svecom.com

SUPPORTO SAFETY CHUCK

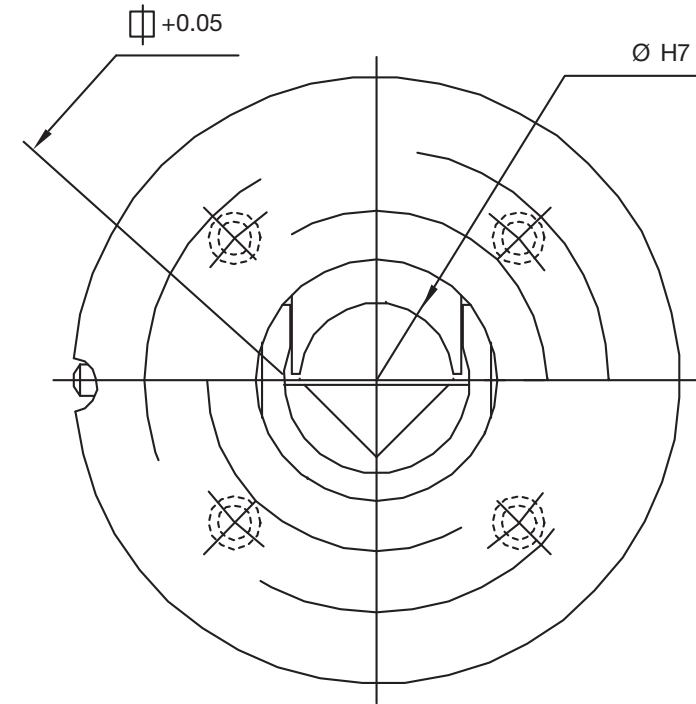
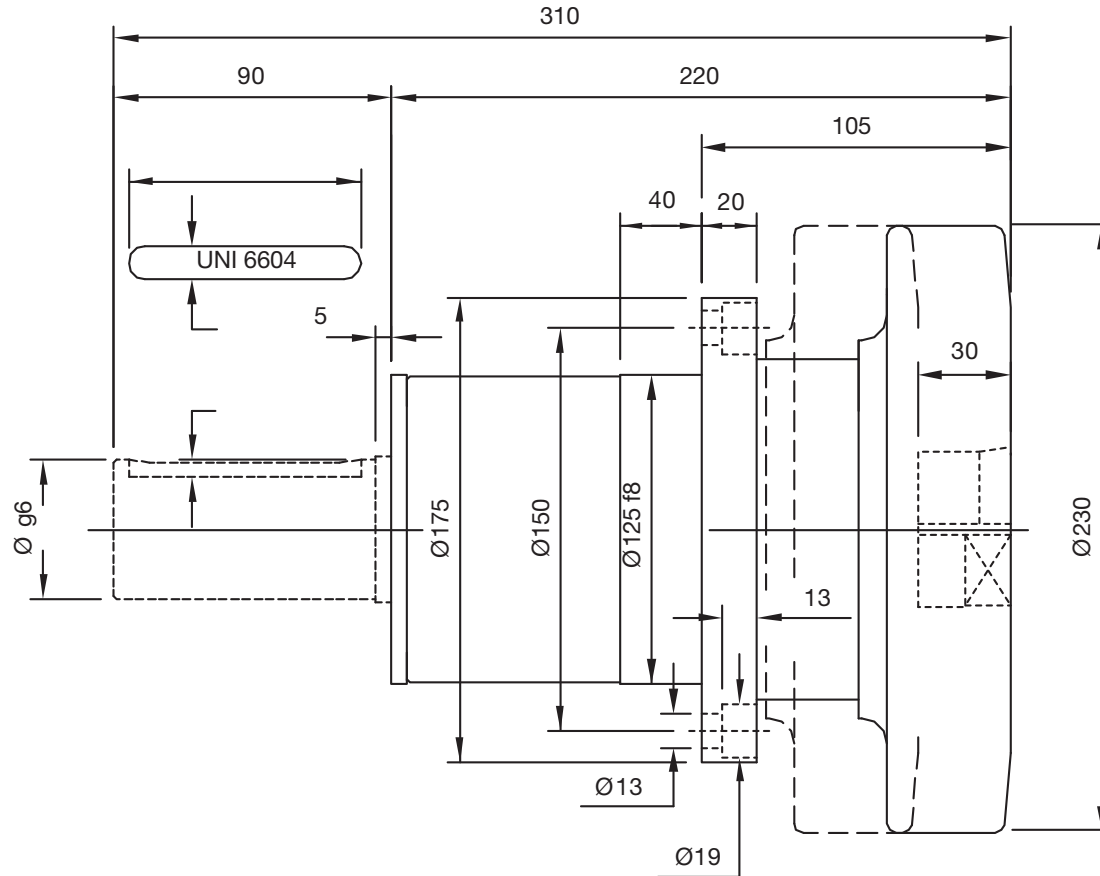
Tipo
Type

925 KLPF1

con alberino
with shaft extension

925 KLPF0

senza alberino
without shaft extension



A richiesta - On request:

- Tipo Supporto
Safety Chuck Type _____
- Quadro
Square Socket _____
- Ø Alberino
Shaft diameter _____

Protezione in plastica standard - Plastic finger guards are standard

Portata Max Coppia Supporti Capacity per Pair	Max Torsione Trasmissibile Max Torque Transmissible	Velocità Massima Max Speed	Quadri Standard Square Standard Socket	Ø Alberino Standard Standard Shaft Diameter
30000 N	1300 N/M	1500 RPM	□ 40 - Ø 55	Ø 30 - Ø 50



SVECOM P.E.

Web site: www.svecom.com

SUPPORTO SAFETY CHUCK

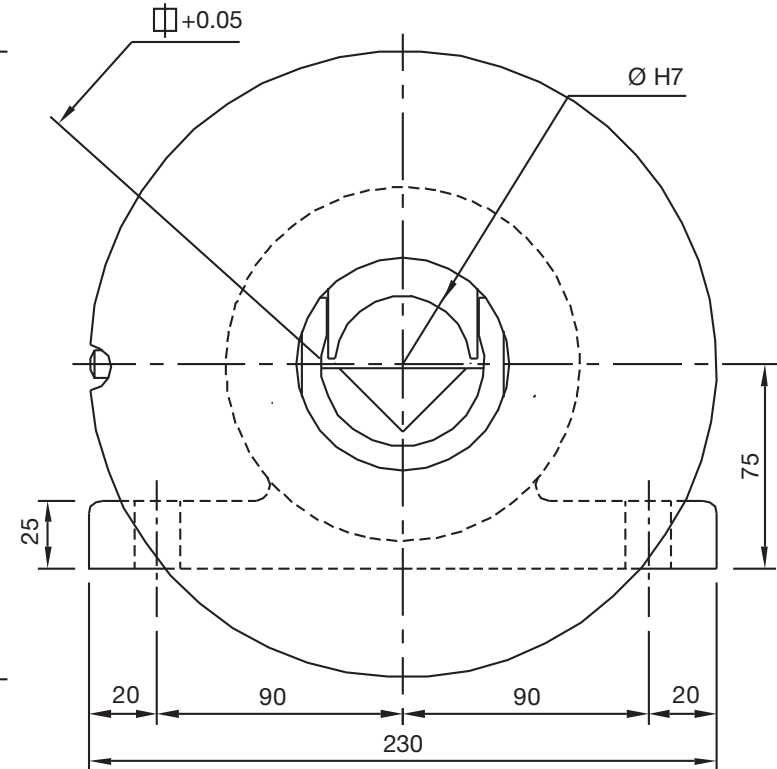
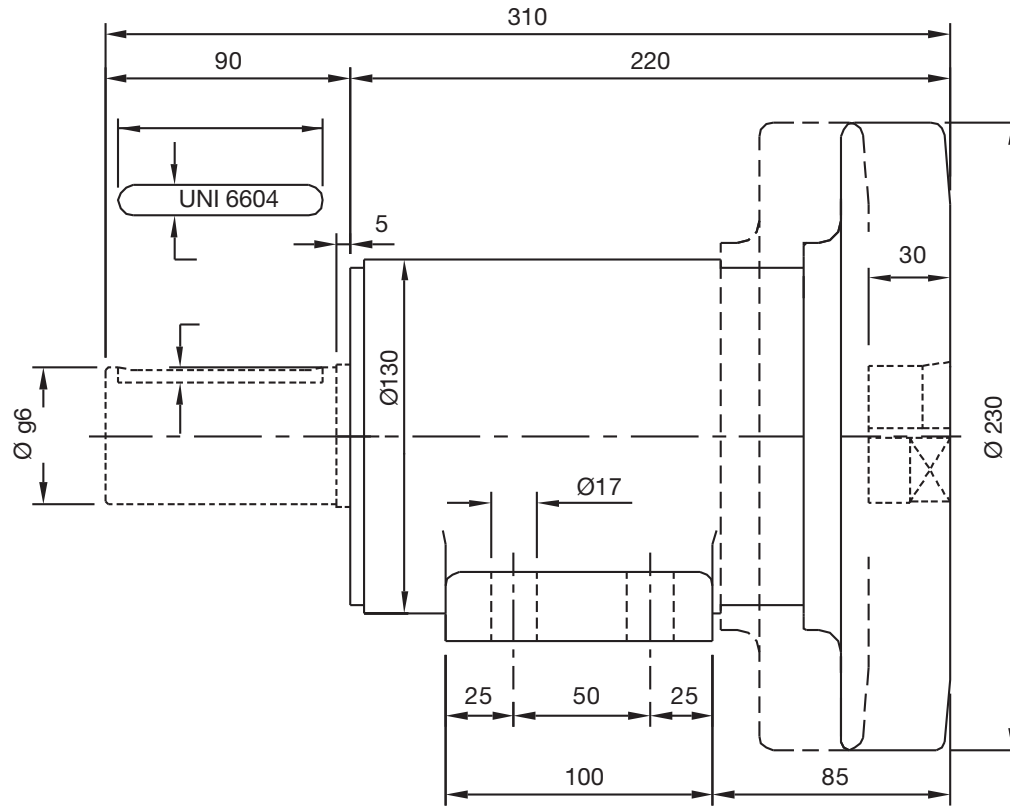
Tipo
Type

925 KLPP1

con alberino
with shaft extension

925 KLPP0

senza alberino
without shaft extension



A richiesta - On request:

- Tipo Supporto
Safety Chuck Type _____
- Quadro
Square Socket _____
- \varnothing Alberino
Shaft diameter _____

Protezione in plastica standard - Plastic finger guards are standard

Portata Max Coppia Supporti Capacity per Pair	Max Torsione Trasmissibile Max Torque Transmissible	Velocità Massima Max Speed	Quadri Standard Square Standard Socket	\varnothing Alberino Standard Standard Shaft Diameter
30000 N	1300 N/M	1500 RPM	\square 40 - \varnothing 55	\varnothing 30 - \varnothing 50



SVECOM P.E.

Web site: www.svecom.com

SUPPORTO SAFETY CHUCK

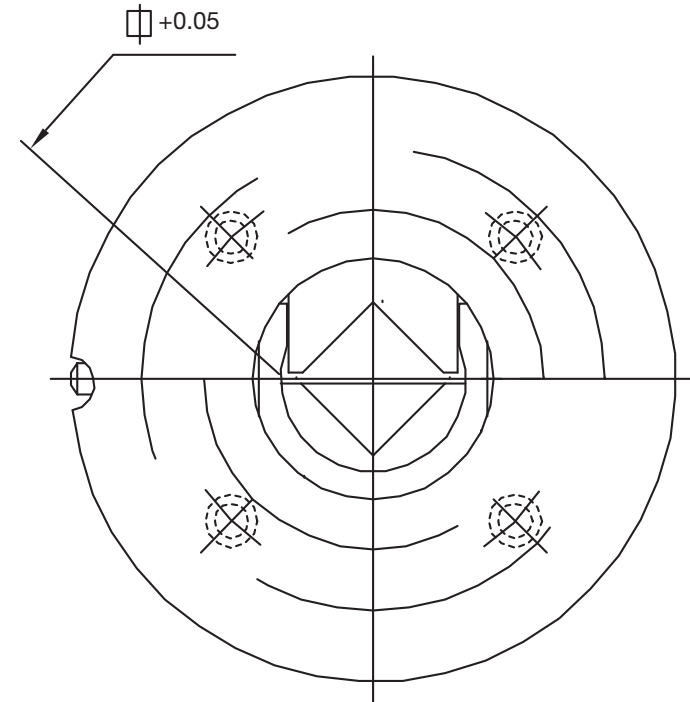
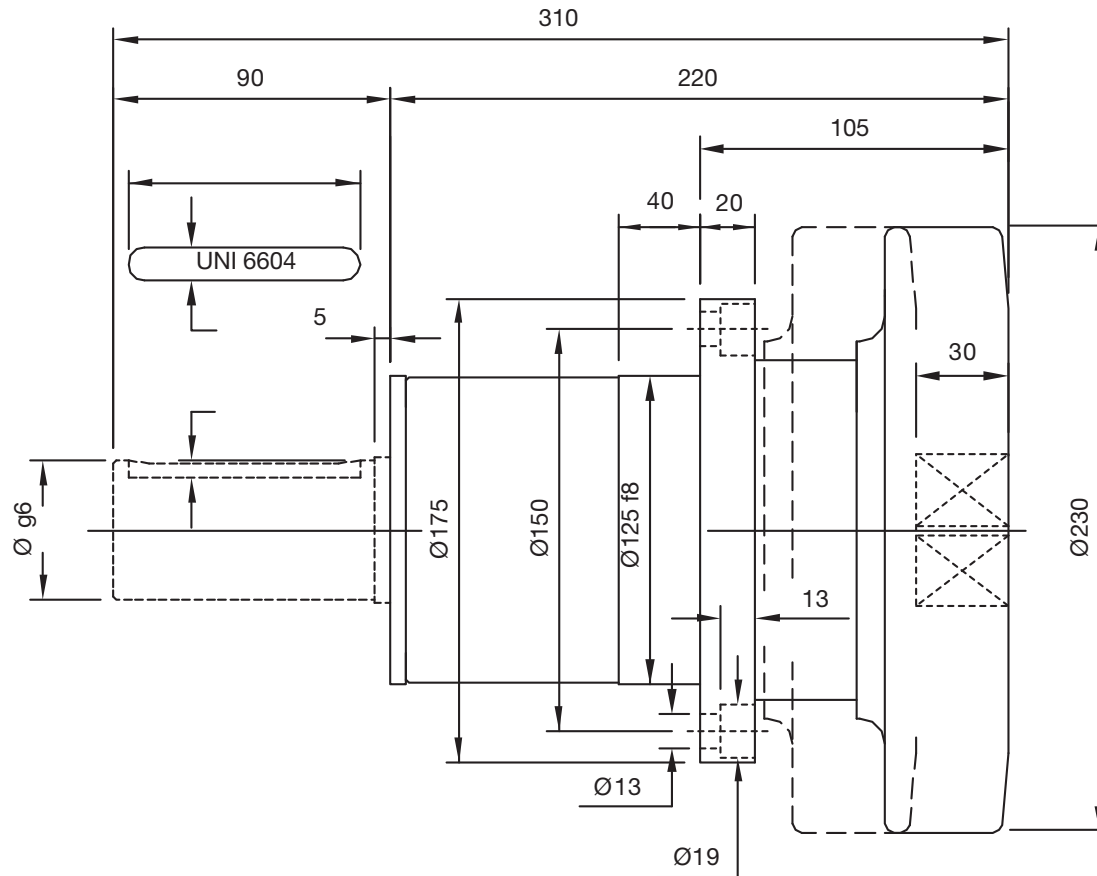
Tipo
Type

925 KLPF1Q

con alberino
with shaft extension

925 KLPF0Q

senza alberino
without shaft extension



A richiesta - On request:

- Tipo Supporto
Safety Chuck Type _____
- Quadro
Square Socket _____
- Ø Alberino
Shaft diameter _____

Protezione in plastica standard - Plastic finger guards are standard

Portata Max Coppia Supporti Capacity per Pair	Max Torsione Trasmissibile Max Torque Transmissible	Velocità Massima Max Speed	Quadri Standard Square Standard Socket	Ø Alberino Standard Standard Shaft Diameter
30000 N	1300 N/M	1500 RPM	□ 40	Ø 30 - Ø 50



SVECOM P.E.

Web site: www.svecom.com

SUPPORTO SAFETY CHUCK

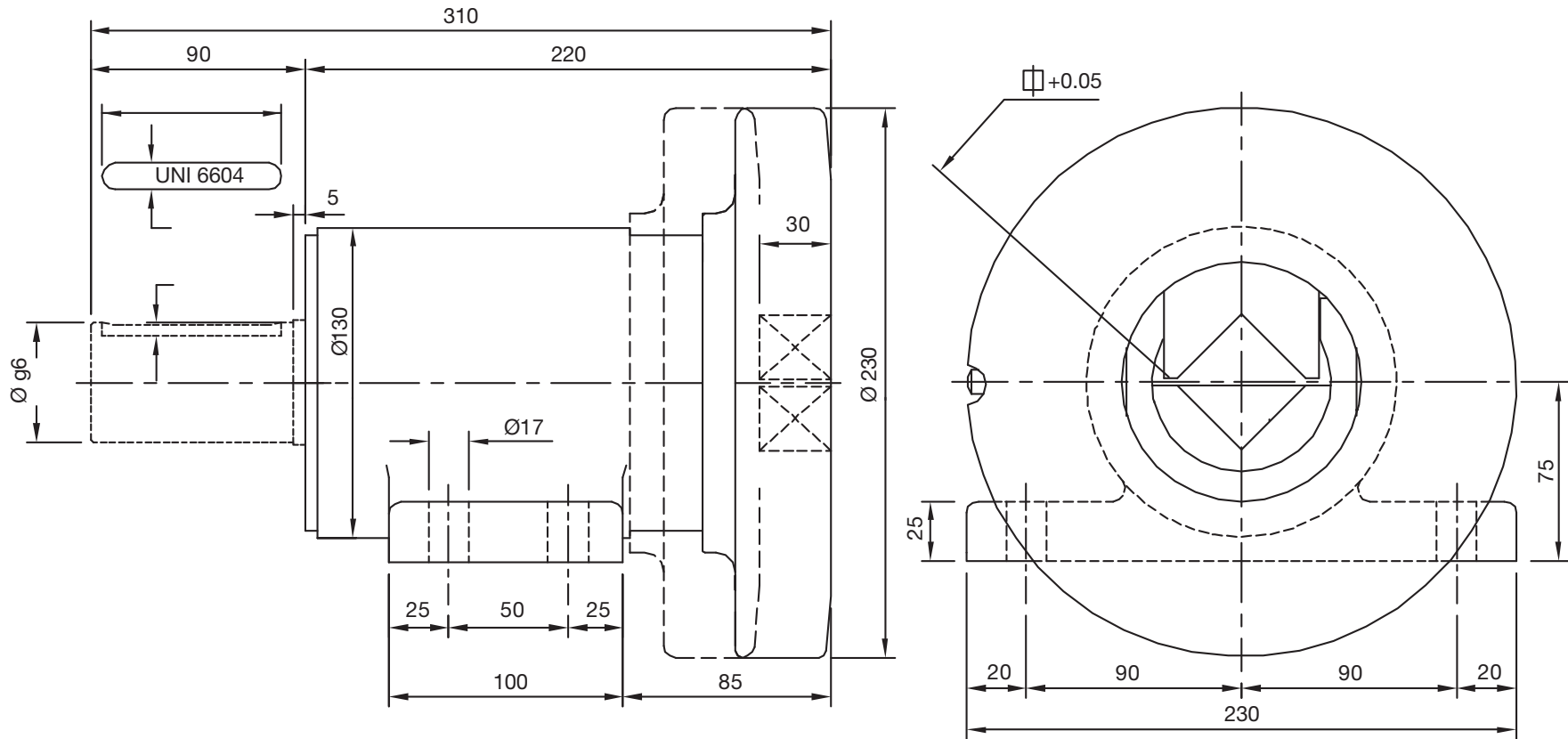
Tipo
Type

925 KLPP1Q

con alberino
with shaft extension

925 KLPP0Q

senza alberino
without shaft extension



A richiesta - On request:

- Tipo Supporto
Safety Chuck Type _____
- Quadro
Square Socket _____
- Ø Alberino
Shaft diameter _____

Protezione in plastica standard - Plastic finger guards are standard

Portata Max Coppia Supporti Capacity per Pair	Max Torsione Trasmissibile Max Torque Transmissible	Velocità Massima Max Speed	Quadri Standard Square Standard Socket	Ø Alberino Standard Standard Shaft Diameter
30000 N	1300 N/M	1500 RPM	□ 40	Ø 30 - Ø 50



SVECOM P.E.

Web site: www.svecom.com

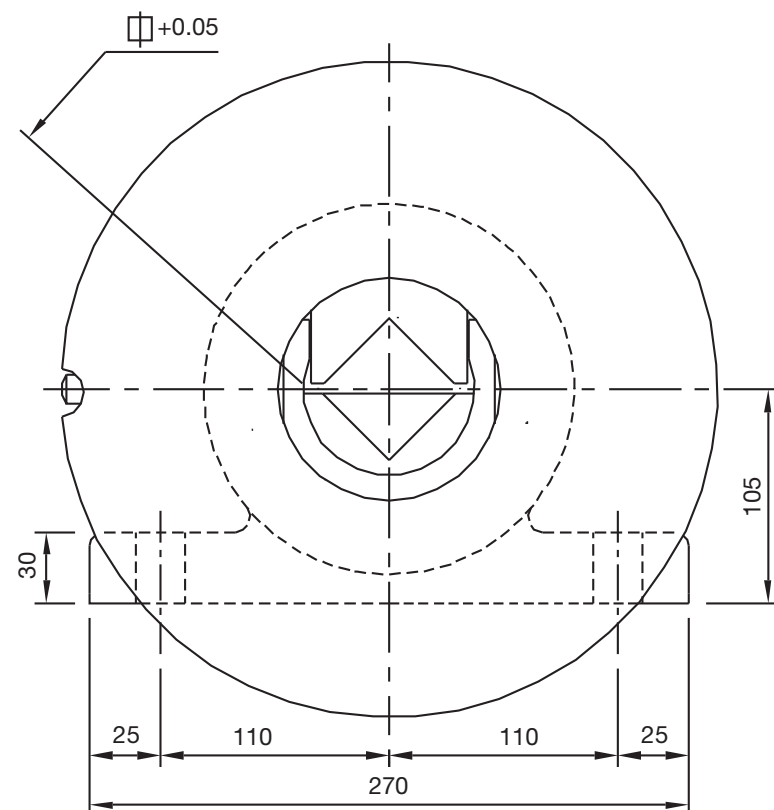
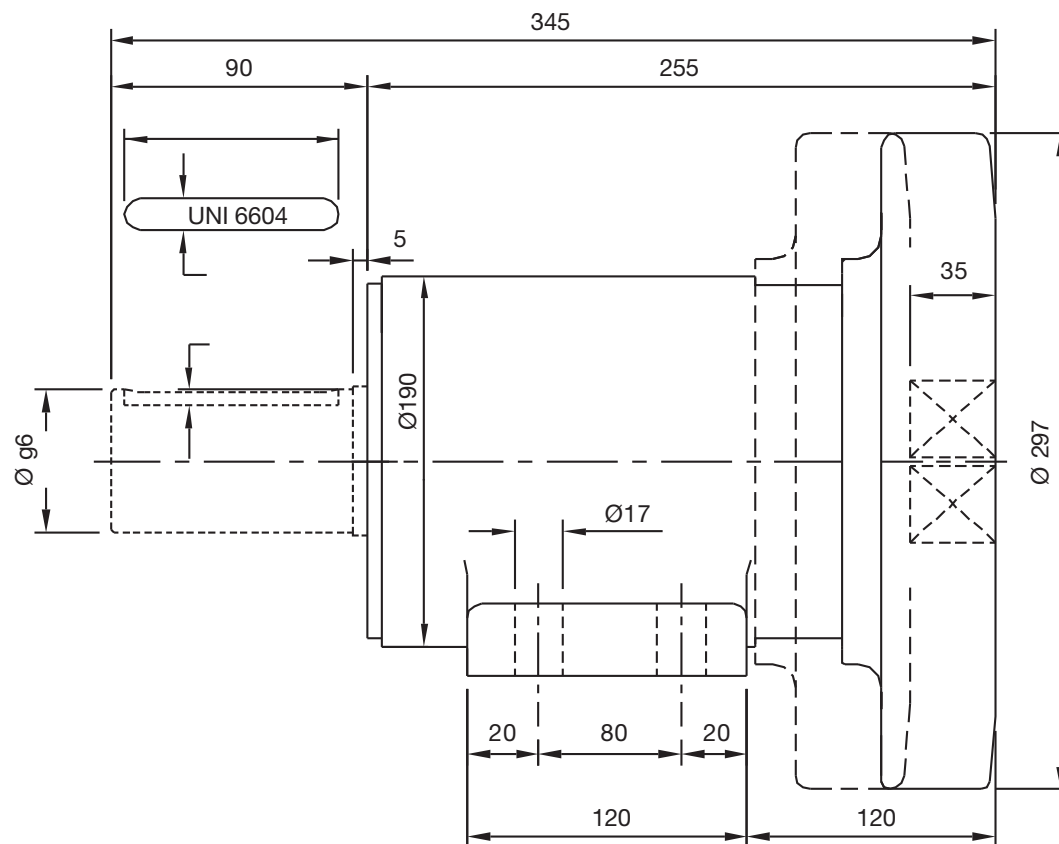
SUPPORTO SAFETY CHUCK

Tipo
Type

925 KLUP1
925 KLUP0

con albero
with shaft extension

senza albero
without shaft extension



A richiesta - On request:

- Tipo Supporto
Safety Chuck Type _____
- Quadro
Square Socket _____
- Ø Albero
Shaft diameter _____

Protezione in plastica standard - Plastic finger guards are standard

Portata Max Coppia Supporti Capacity per Pair	Max Torsione Trasmissibile Max Torque Transmissible	Velocità Massima Max Speed	Quadri Standard Square Standard Socket	Ø Albero Standard Standard Shaft Diameter
60000 N	2500 N/M	1300 RPM	⌀ 60 - ⌀ 80	Ø 50 - Ø 60



SVECOM P.E.

Web site: www.svecom.com

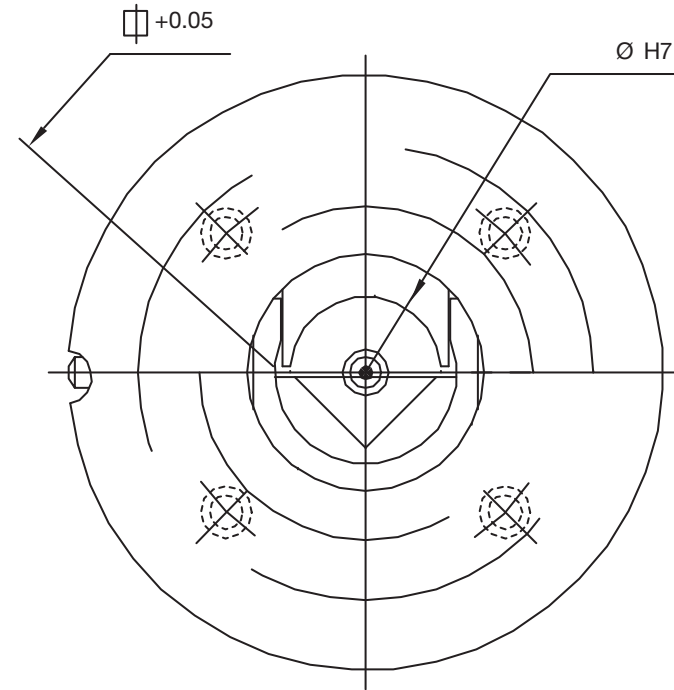
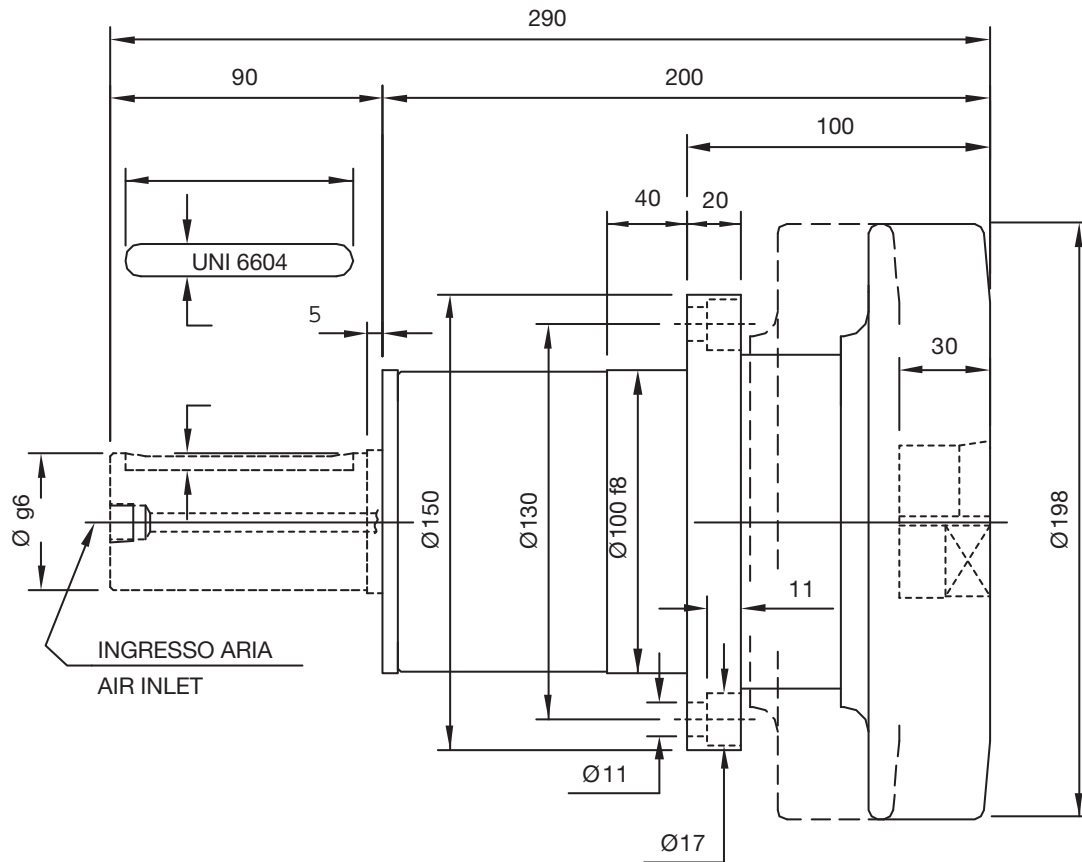
SUPPORTO SAFETY CHUCK

Tipo
Type

925 KLALF1
925 KLALF0

con albero
with shaft extension

senza albero
without shaft extension



A richiesta - On request:

- Tipo Supporto
Safety Chuck Type _____
- Quadro
Square Socket _____
- Ø Albero
Shaft diameter _____

Protezione in plastica standard - Plastic finger guards are standard

Portata Max Coppia Supporti Capacity per Pair	Max Torsione Trasmissibile Max Torque Transmissible	Velocità Massima Max Speed	Quadri Standard Square Standard Socket	Ø Albero Standard Standard Shaft Diameter
15600 N	1000 N/M	1200 RPM	⌀ 35 - Ø 50	Ø 25 - Ø 45



SVECOM P.E.

Web site: www.svecom.com

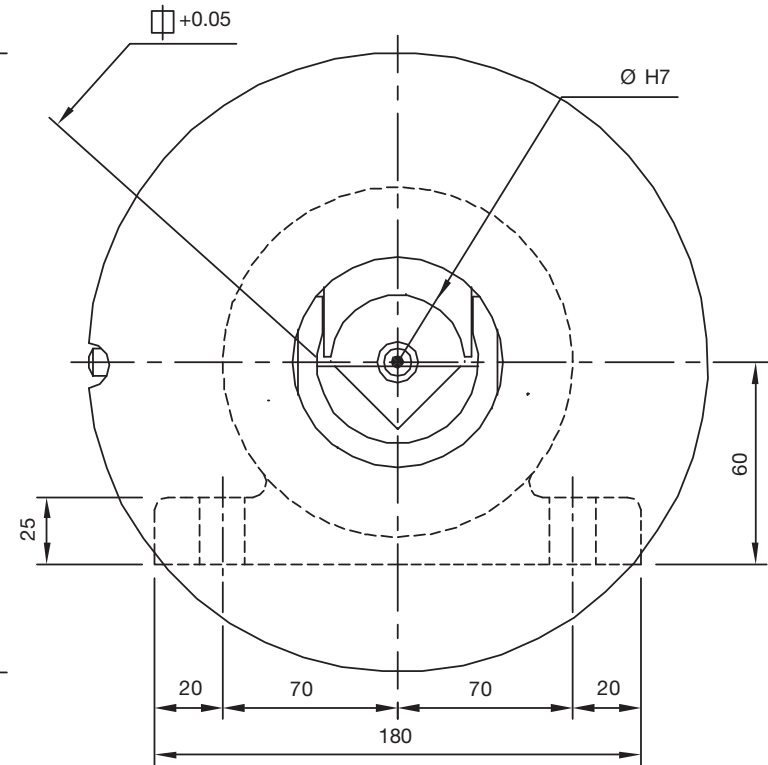
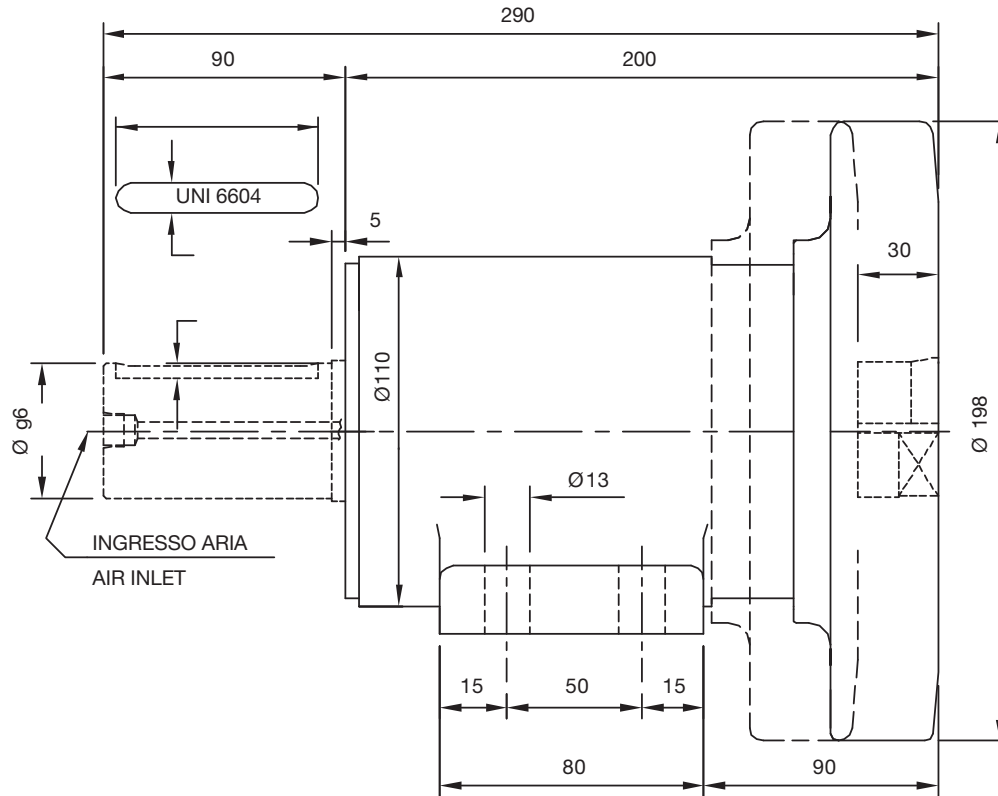
SUPPORTO SAFETY CHUCK

Tipo
Type

925 KLALP1
925 KLALP0

con alberino
with shaft extension

senza alberino
without shaft extension



A richiesta - On request:

- Tipo Supporto
Safety Chuck Type _____
- Quadro
Square Socket _____
- Ø Alberino
Shaft diameter _____

Protezione in plastica standard - Plastic finger guards are standard

Portata Max Coppia Supporti Capacity per Pair	Max Torsione Trasmissibile Max Torque Transmissible	Velocità Massima Max Speed	Quadri Standard Square Standard Socket	Ø Alberino Standard Standard Shaft Diameter
15600 N	1000 N/M	1200 RPM	□ 35 - Ø 50	Ø 25 - Ø 45



SVECOM P.E.

Web site: www.svecom.com

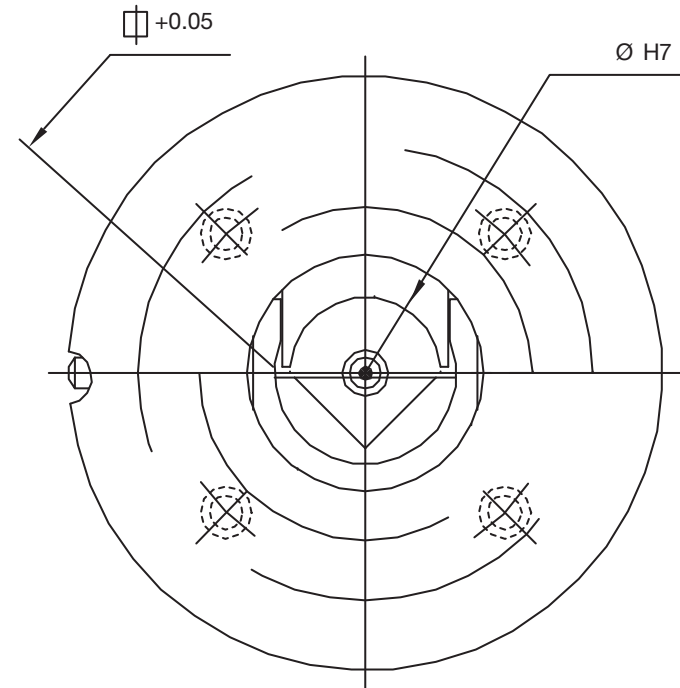
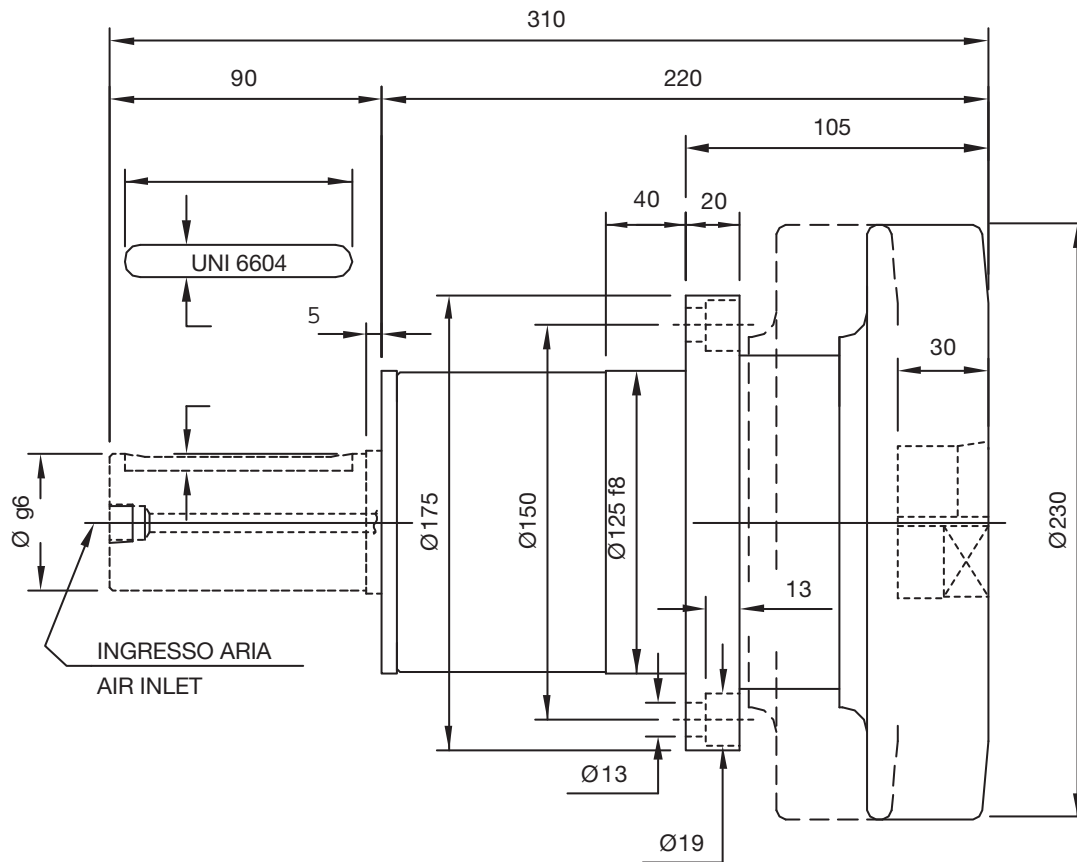
SUPPORTO SAFETY CHUCK

Tipo
Type

925 KLAPF1
925 KLAPF0

con alberino
with shaft extension

senza alberino
without shaft extension



A richiesta - On request:

- Tipo Supporto
Safety Chuck Type _____
- Quadro
Square Socket _____
- Ø Alberino
Shaft diameter _____

Protezione in plastica standard - Plastic finger guards are standard

Portata Max Coppia Supporti Capacity per Pair	Max Torsione Trasmissibile Max Torque Transmissible	Velocità Massima Max Speed	Quadri Standard Square Standard Socket	Ø Alberino Standard Standard Shaft Diameter
30000 N	1300 N/M	1500 RPM	□ 40 - Ø 55	Ø 30 - Ø 50



SVECOM P.E.

Web site: www.svecom.com

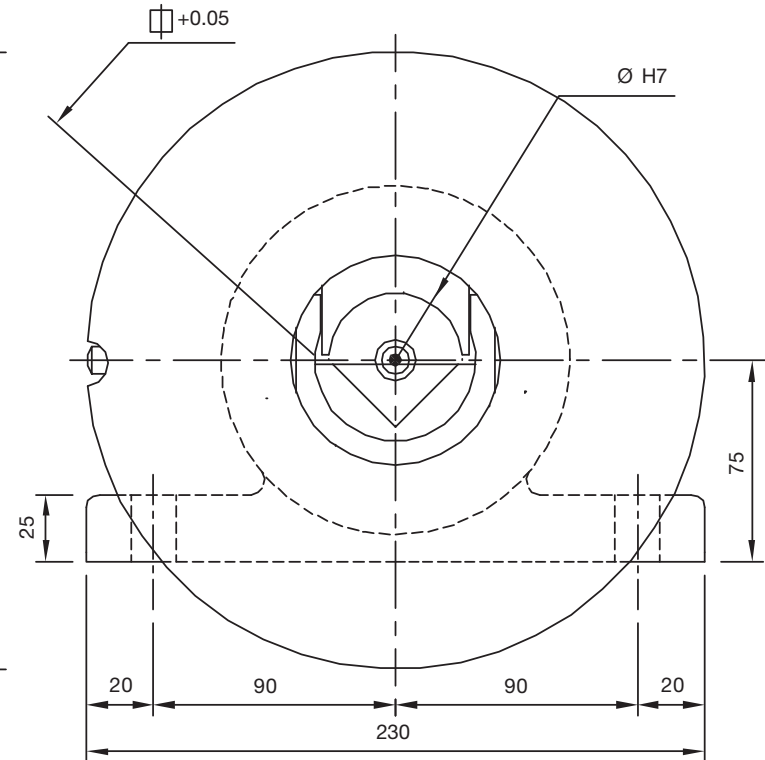
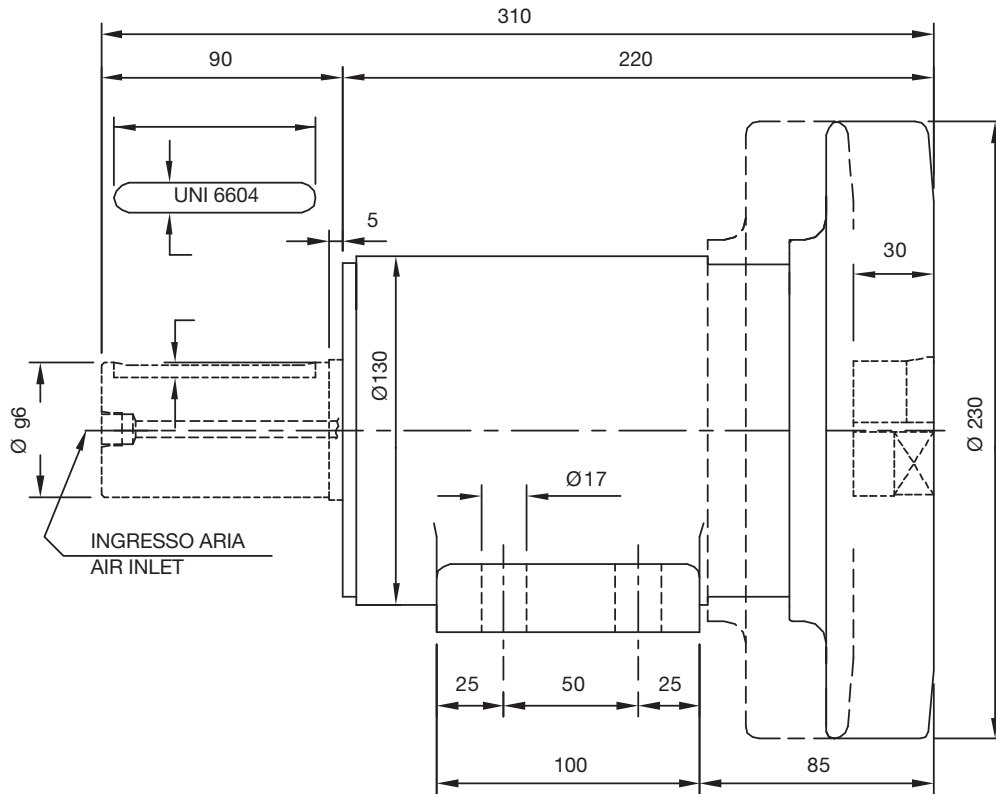
SUPPORTO SAFETY CHUCK

Tipo
Type

925 KLAPP1
925 KLAPP0

con alberino
with shaft extension

senza alberino
without shaft extension



A richiesta - On request:

- Tipo Supporto
Safety Chuck Type _____
- Quadro
Square Socket _____
- Ø Alberino
Shaft diameter _____

Protezione in plastica standard - Plastic finger guards are standard

Portata Max Coppia Supporti Capacity per Pair	Max Torsione Trasmissibile Max Torque Transmissible	Velocità Massima Max Speed	Quadri Standard Square Standard Socket	Ø Alberino Standard Standard Shaft Diameter
30000 N	1300 N/M	1500 RPM	□ 40 - Ø 55	Ø 30 - Ø 50



SVECOM P.E. SUPPORTO SAFETY CHUCK

Web site: www.svecom.com

Testa rotante / rotary head

935 PNLF1TR

Tipo
Type

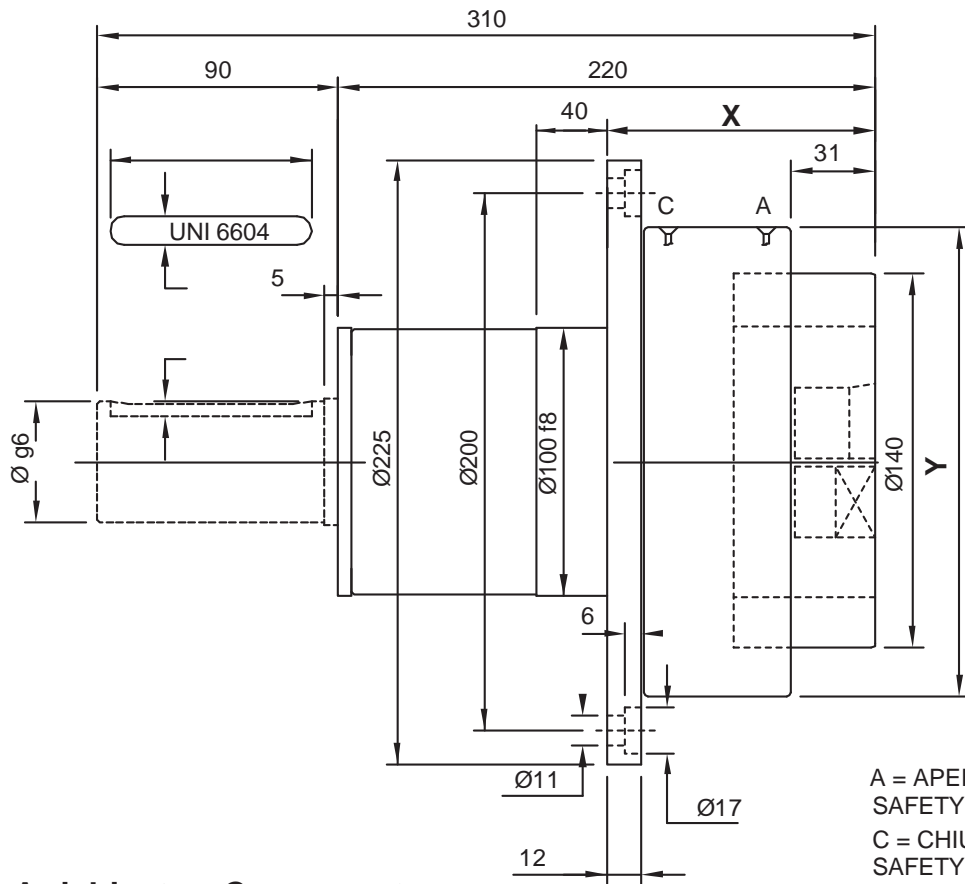
935 PNLF0TR

Testa fissa / stationary head

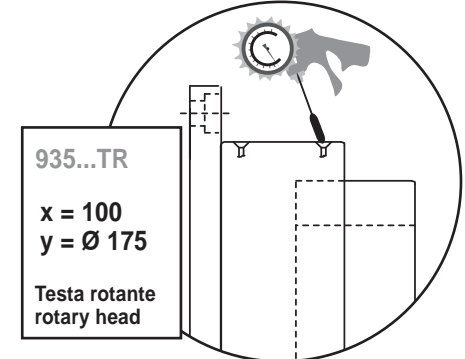
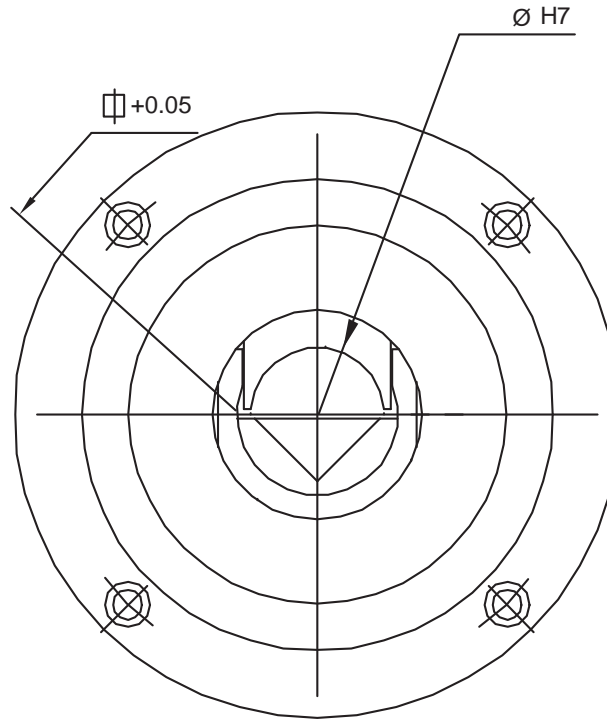
936 PNLF1TF

con alberino
with shaft extension

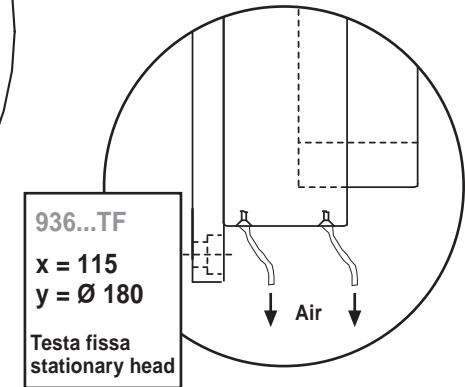
senza alberino
without shaft extension



A = APERTURA SUPPORTO
SAFETY CHUCK OPENING
C = CHIUSURA SUPPORTO
SAFETY CHUCK CLOSING



Gonfiaggio manuale
Manual inflate



Gonfiaggio automatico
Automatic inflate

A richiesta - On request:

- Tipo Supporto
Safety Chuck Type _____
- Quadro
Square Socket _____
- \varnothing Alberino
Shaft diameter _____

Protezione in acciaio standard - Steel finger guards are standard

Portata Max Coppia Supporti Capacity per Pair	Max Torsione Trasmissibile Max Torque Transmissible	Velocità Massima Max Speed	Quadri Standard Square Standard Socket	\varnothing Alberino Standard Standard Shaft Diameter
15600 N	1000 N/M	1200 RPM	$\varnothing 35 - \varnothing 50$	$\varnothing 25 - \varnothing 45$



SVECOM P.E. SUPPORTO SAFETY CHUCK

Web site: www.svecom.com

Tipo
Type

Testa rotante / rotary head

935 PNPf1TR

935 PNPf0TR

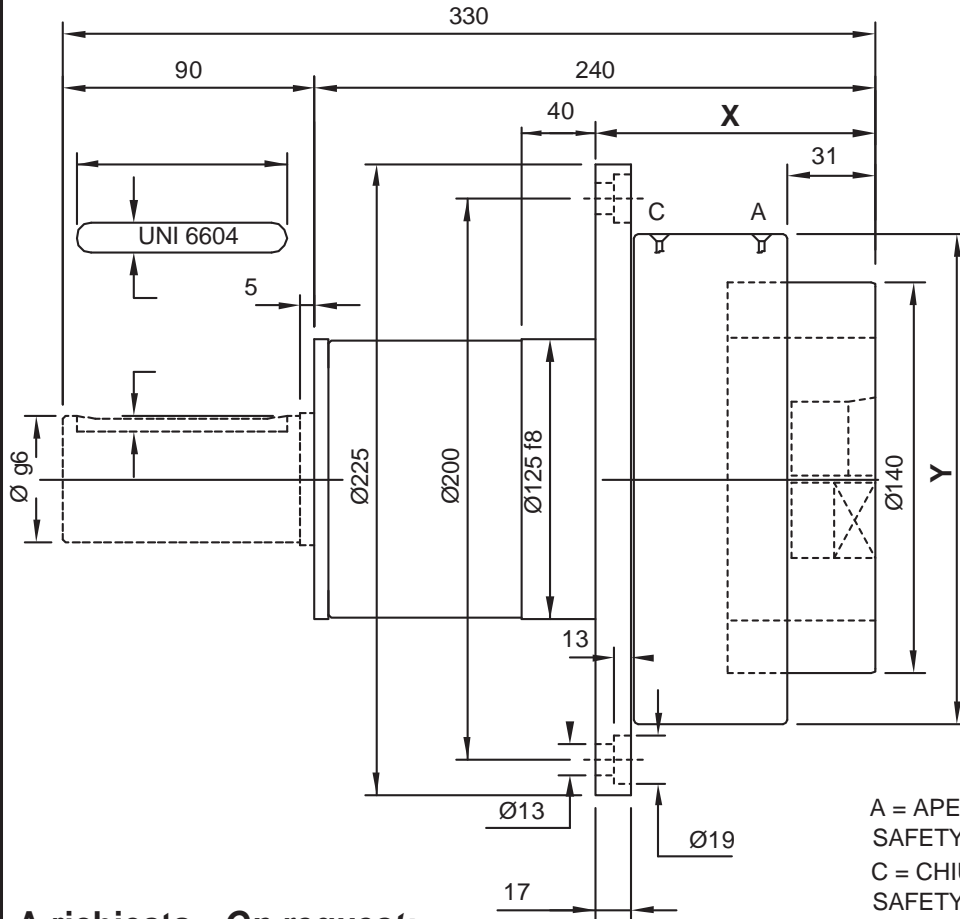
Testa fissa / stationary head

936 PNPf1TF

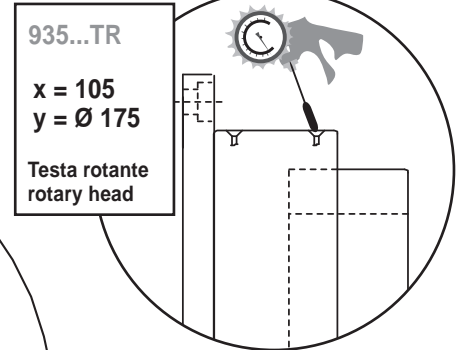
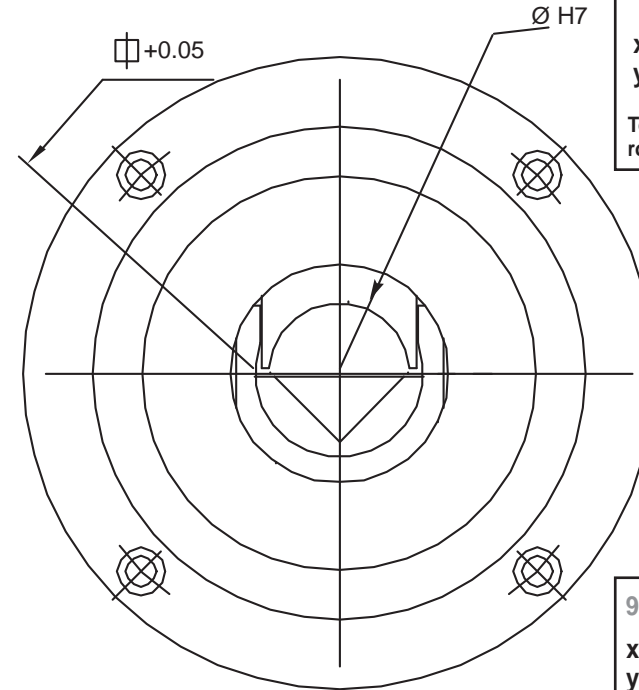
936 PNPf0TF

con alberino
with shaft extension

senza alberino
without shaft extension

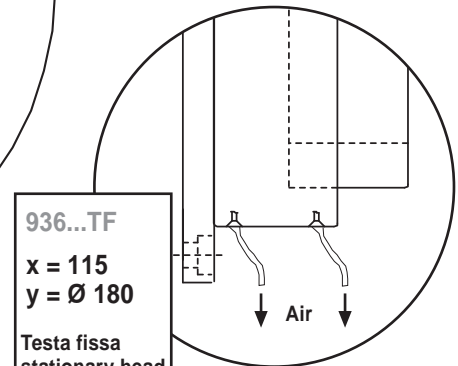


A = APERTURA SUPPORTO
SAFETY CHUCK OPENING
C = CHIUSURA SUPPORTO
SAFETY CHUCK CLOSING



935...TR
x = 105
y = Ø 175
Testa rotante
rotary head

Gonfiaggio manuale
Manual inflate



936...TF
x = 115
y = Ø 180
Testa fissa
stationary head

Gonfiaggio automatico
Automatic inflate

A richiesta - On request:

- Tipo Supporto
Safety Chuck Type _____
- Quadro
Square Socket _____
- Ø Alberino
Shaft diameter _____

Protezione in acciaio standard - Steel finger guards are standard

Portata Max Coppia Supporti Capacity per Pair	Max Torsione Trasmissibile Max Torque Transmissible	Velocità Massima Max Speed	Quadri Standard Square Standard Socket	Ø Alberino Standard Standard Shaft Diameter
30000 N	1300 N/M	1500 RPM	□ 40 - Ø 55	Ø 30 - Ø 50



SVECOM P.E.

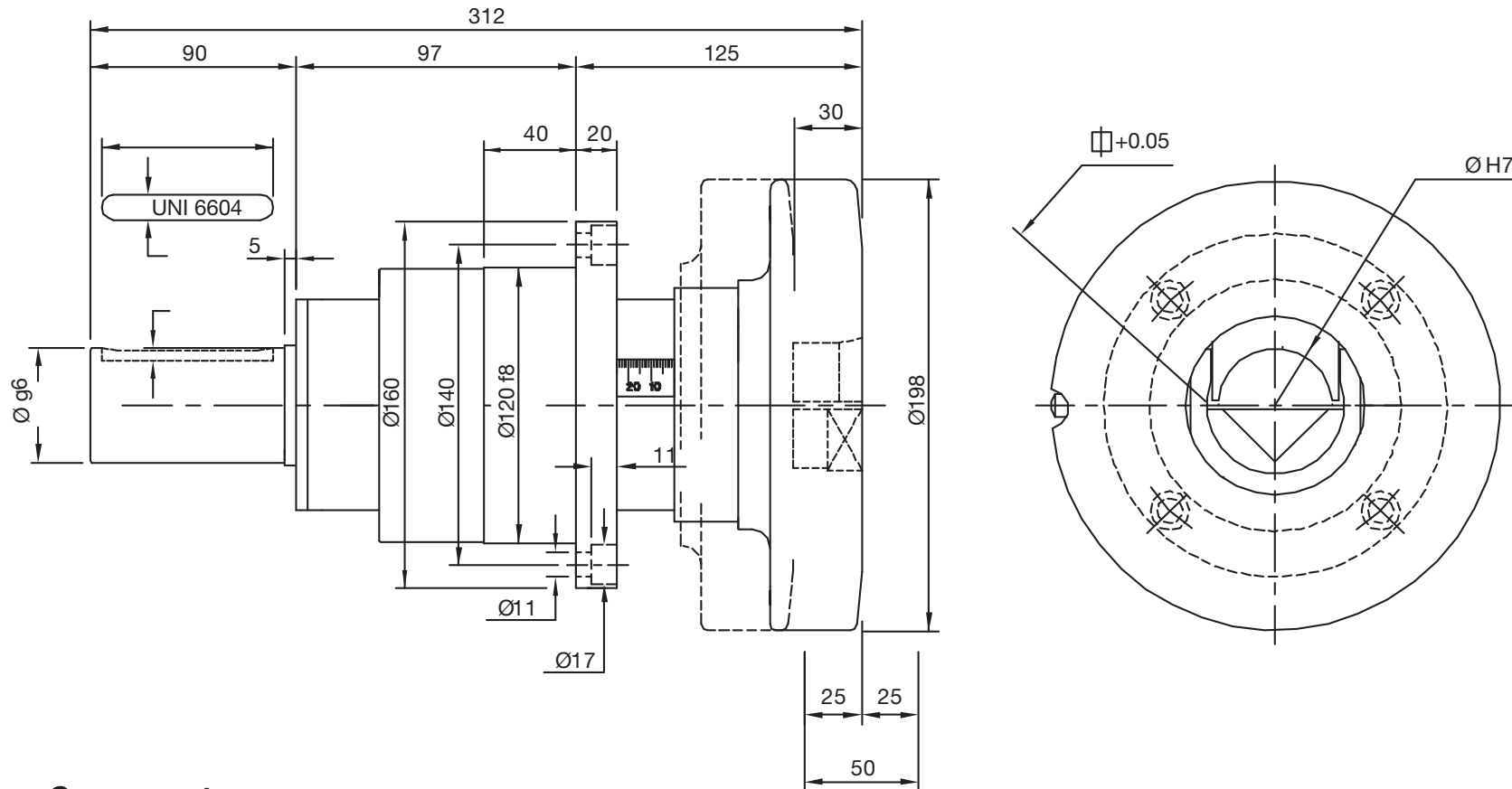
Web site: www.svecom.com

SUPPORTO SAFETY CHUCK

Tipo
Type

950 KLLF1

con alberino
with shaft extension



A richiesta - On request:

- Tipo Supporto
Safety Chuck Type _____
- Quadro
Square Socket _____
- Ø Alberino
Shaft diameter _____

Protezione in plastica standard - Plastic finger guards are standard

Portata Max Coppia Supporti Capacity per Pair	Max Torsione Trasmissibile Max Torque Transmissible	Velocità Massima Max Speed	Quadri Standard Square Standard Socket	Ø Alberino Standard Standard Shaft Diameter
15600 N	1000 N/M	1200 RPM	⌀ 30 - Ø 42 ⌀ 35 - Ø 50	Ø 25 - Ø 45

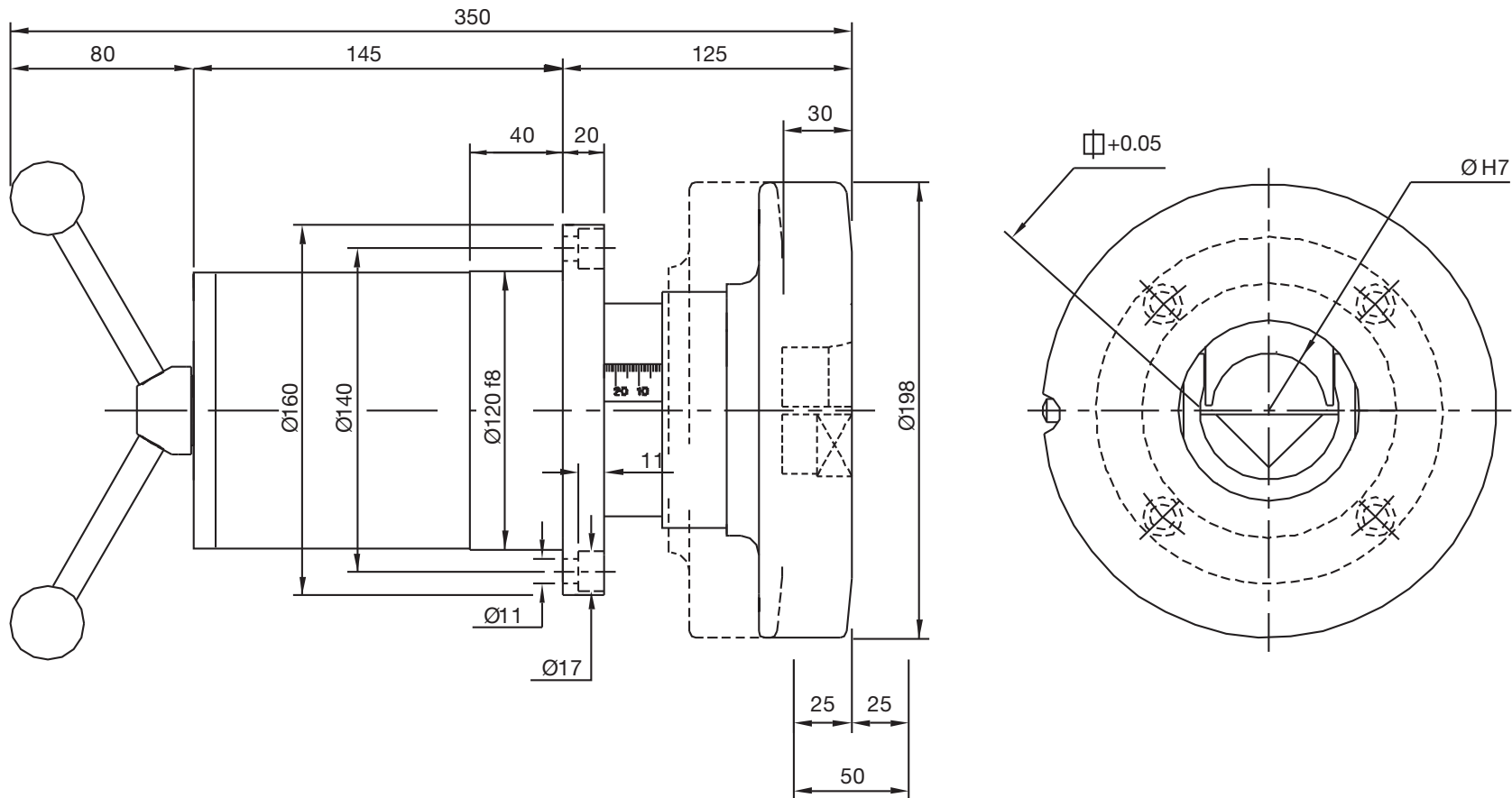


SVECOM P.E.
Web site: www.svecom.com

SUPPORTO SAFETY CHUCK

Tipo
Type

950 KLLF2 con volantino
with handwheel



A richiesta - On request:

- Tipo Supporto
Safety Chuck Type _____
- Quadro
Square Socket _____
- \varnothing Alberino
Shaft diameter _____

Protezione in plastica standard - Plastic finger guards are standard

Portata Max Coppia Supporti Capacity per Pair	Max Torsione Trasmissibile Max Torque Transmissible	Velocità Massima Max Speed	Quadri Standard Square Standard Socket
15600 N	1000 N/M	1200 RPM	$\square 30 - \varnothing 42$ $\square 35 - \varnothing 50$



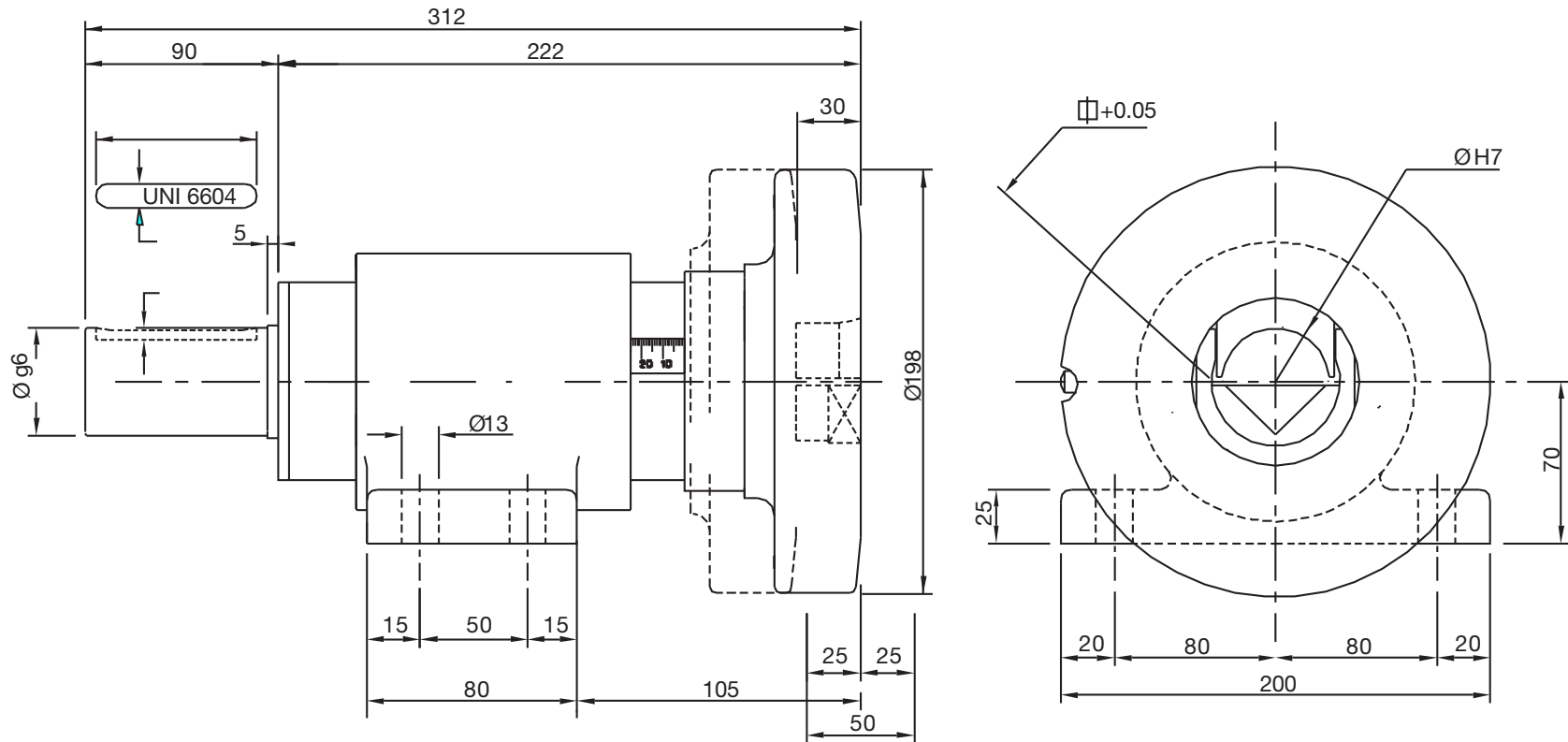
SVECOM P.E.

Web site: www.svecom.com

SUPPORTO SAFETY CHUCK

Tipo
Type

950 KLLP1 con alberino
with shaft extension



A richiesta - On request:

- Tipo Supporto
Safety Chuck Type _____
- Quadro
Square Socket _____
- Ø Alberino
Shaft diameter _____

Protezione in plastica standard - Plastic finger guards are standard

Portata Max Coppia Supporti Capacity per Pair	Max Torsione Trasmissibile Max Torque Transmissible	Velocità Massima Max Speed	Quadri Standard Square Standard Socket	Ø Alberino Standard Standard Shaft Diameter
15600 N	1000 N/M	1200 RPM	□ 30 - Ø 42 □ 35 - Ø 50	Ø 25 - Ø 45



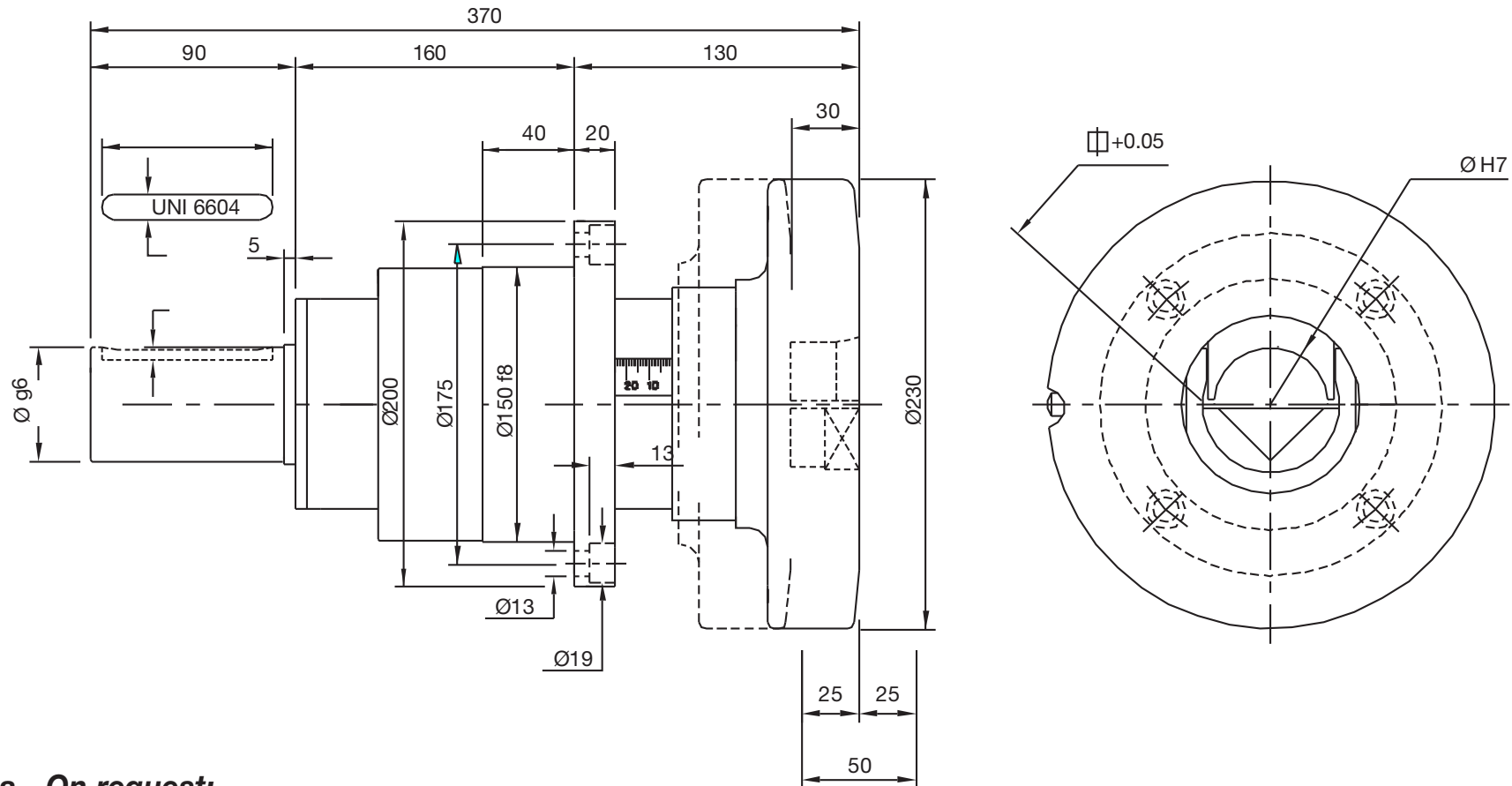
SVECOM P.E.

Web site: www.svecom.com

SUPPORTO SAFETY CHUCK

Tipo
Type

950 KLPF1 con alberino
with shaft extension



A richiesta - On request:

- Tipo Supporto
Safety Chuck Type _____
- Quadro
Square Socket _____
- Ø Alberino
Shaft diameter _____

Protezione in plastica standard - Plastic finger guards are standard

Portata Max Coppia Supporti Capacity per Pair	Max Torsione Trasmissibile Max Torque Transmissible	Velocità Massima Max Speed	Quadri Standard Square Standard Socket	Ø Alberino Standard Standard Shaft Diameter
30000 N	1300 N/M	1500 RPM	⌀ 40 - Ø 55	Ø 30 - Ø 50



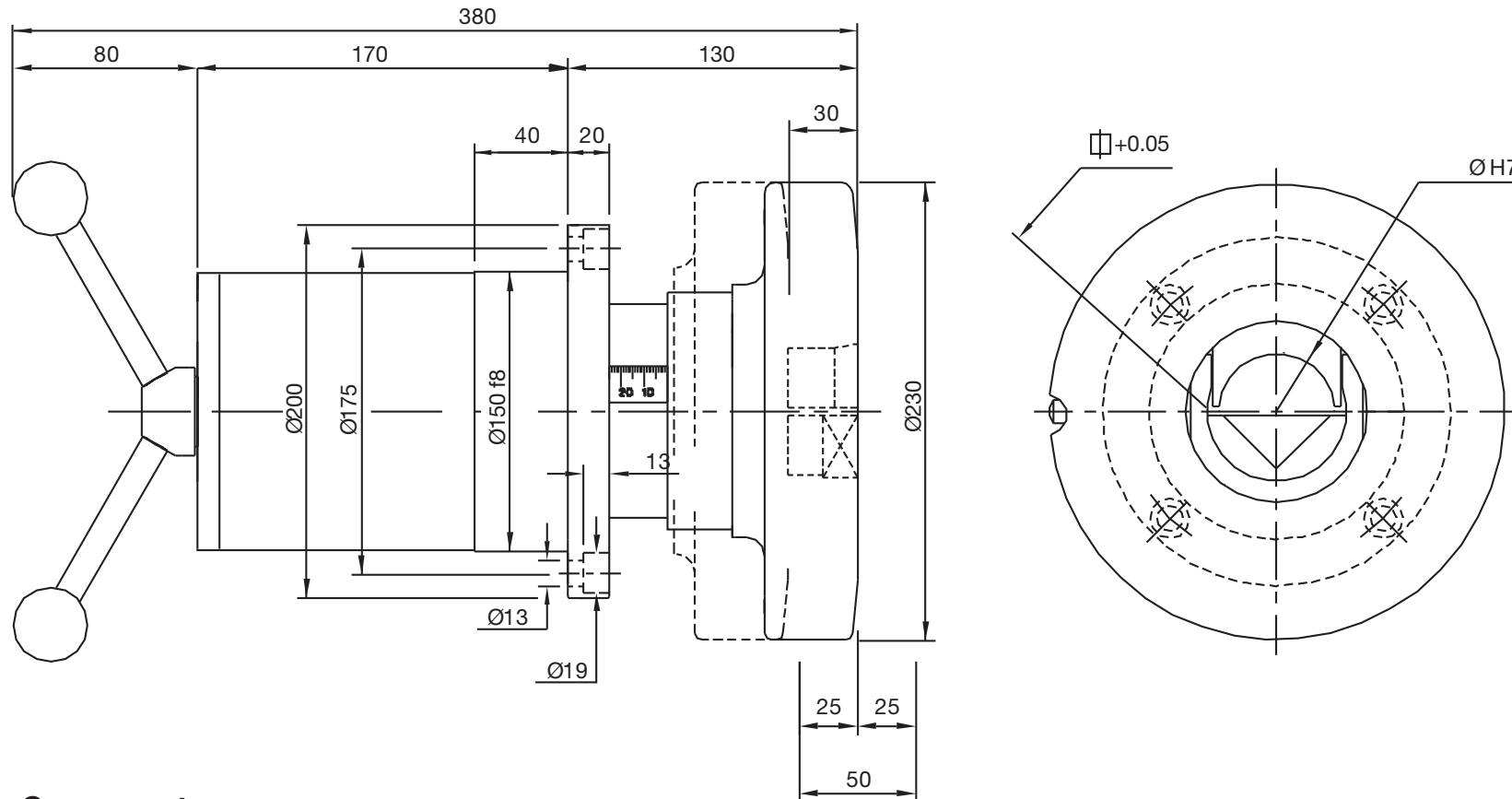
SVECOM P.E.

Web site: www.svecom.com

SUPPORTO SAFETY CHUCK

Tipo
Type

950 KLPF2 con volantino
with handwheel



A richiesta - On request:

- Tipo Supporto
Safety Chuck Type _____
- Quadro
Square Socket _____
- Ø Alberino
Shaft diameter _____

Protezione in plastica standard - Plastic finger guards are standard

Portata Max Coppia Supporti Capacity per Pair	Max Torsione Trasmissibile Max Torque Transmissible	Velocità Massima Max Speed	Quadri Standard Square Standard Socket
30000 N	1300 N/M	1500 RPM	⌀ 40 - Ø 55



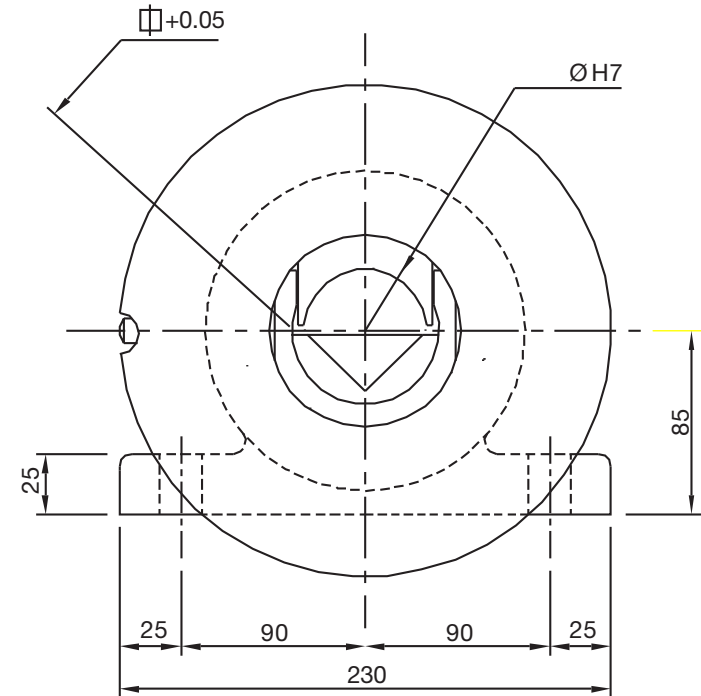
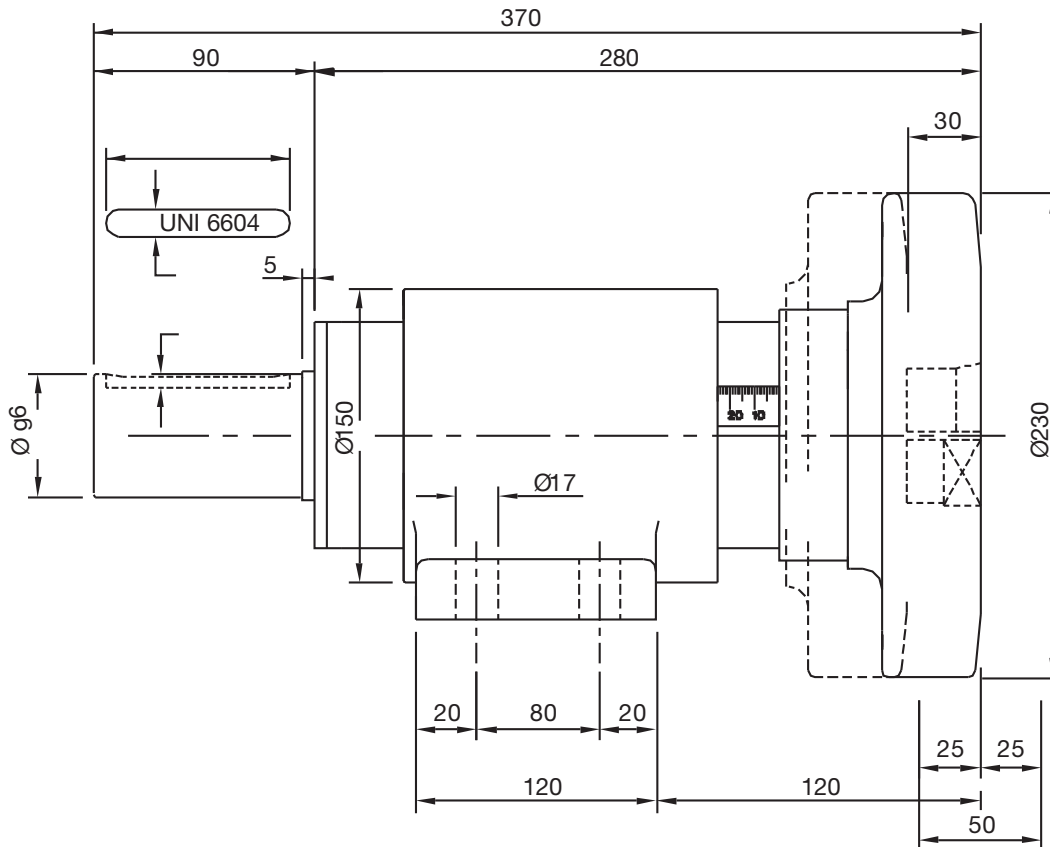
SVECOM P.E.

Web site: www.svecom.com

SUPPORTO SAFETY CHUCK

Tipo
Type

950 KLPP1 con alberino
with shaft extension



A richiesta - On request:

- Tipo Supporto
Safety Chuck Type _____
- Quadro
Square Socket _____
- Ø Alberino
Shaft diameter _____

Protezione in plastica standard - Plastic finger guards are standard

Portata Max Coppia Supporti Capacity per Pair	Max Torsione Trasmissibile Max Torque Transmissible	Velocità Massima Max Speed	Quadri Standard Square Standard Socket	Ø Alberino Standard Standard Shaft Diameter
30000 N	1300 N/M	1500 RPM	⌀ 40 - Ø 55	Ø 30 - Ø 50



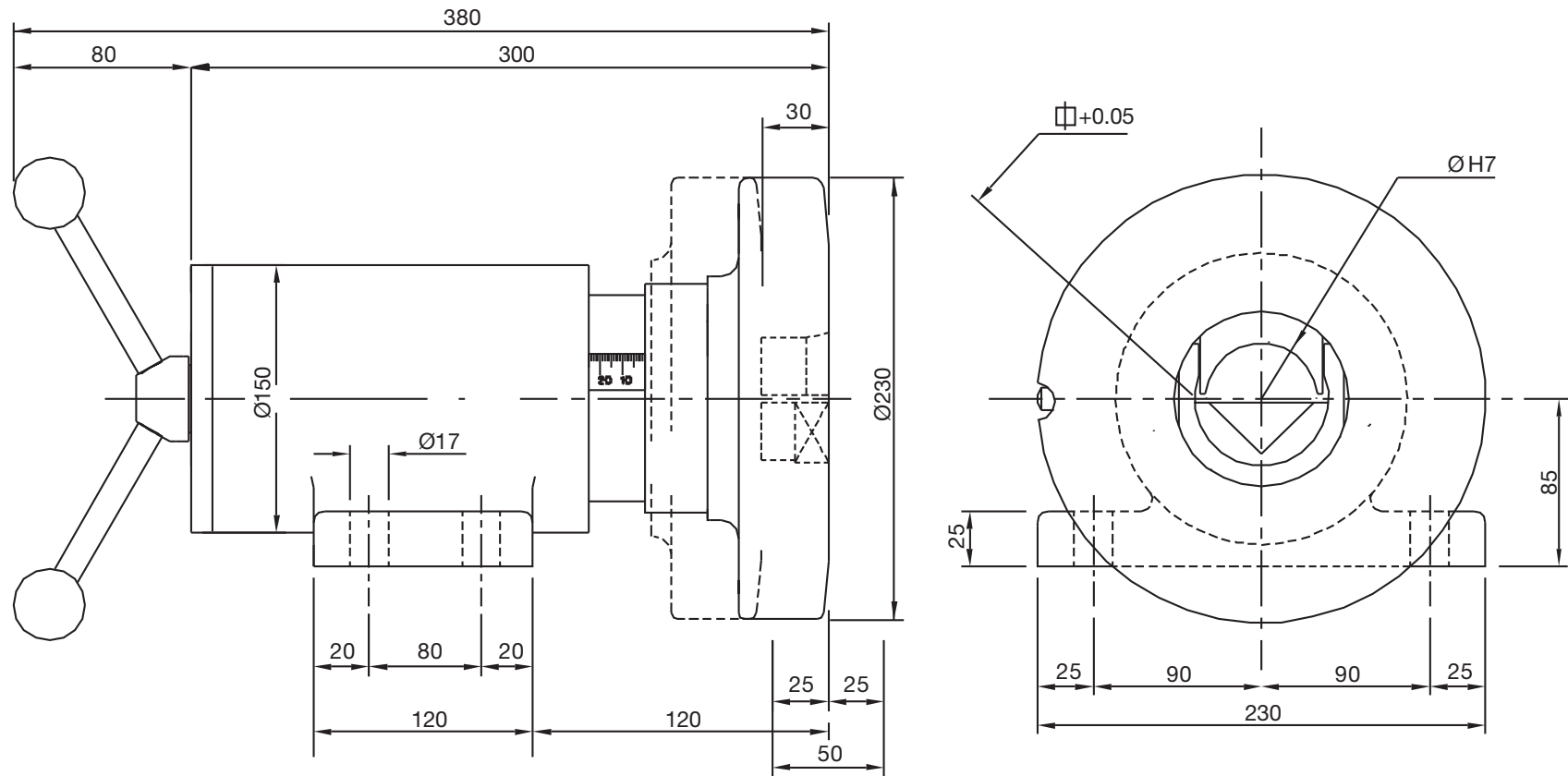
SVECOM P.E.

Web site: www.svecom.com

SUPPORTO SAFETY CHUCK

Tipo
Type

950 KLPP2 con volantino
with handwheel



A richiesta - On request:

- Tipo Supporto
Safety Chuck Type _____
- Quadro
Square Socket _____
- Ø Alberino
Shaft diameter _____

Protezione in plastica standard - Plastic finger guards are standard

Portata Max Coppia Supporti Capacity per Pair	Max Torsione Trasmissibile Max Torque Transmissible	Velocità Massima Max Speed	Quadri Standard Square Standard Socket
30000 N	1300 N/M	1500 RPM	□ 40 - Ø 55



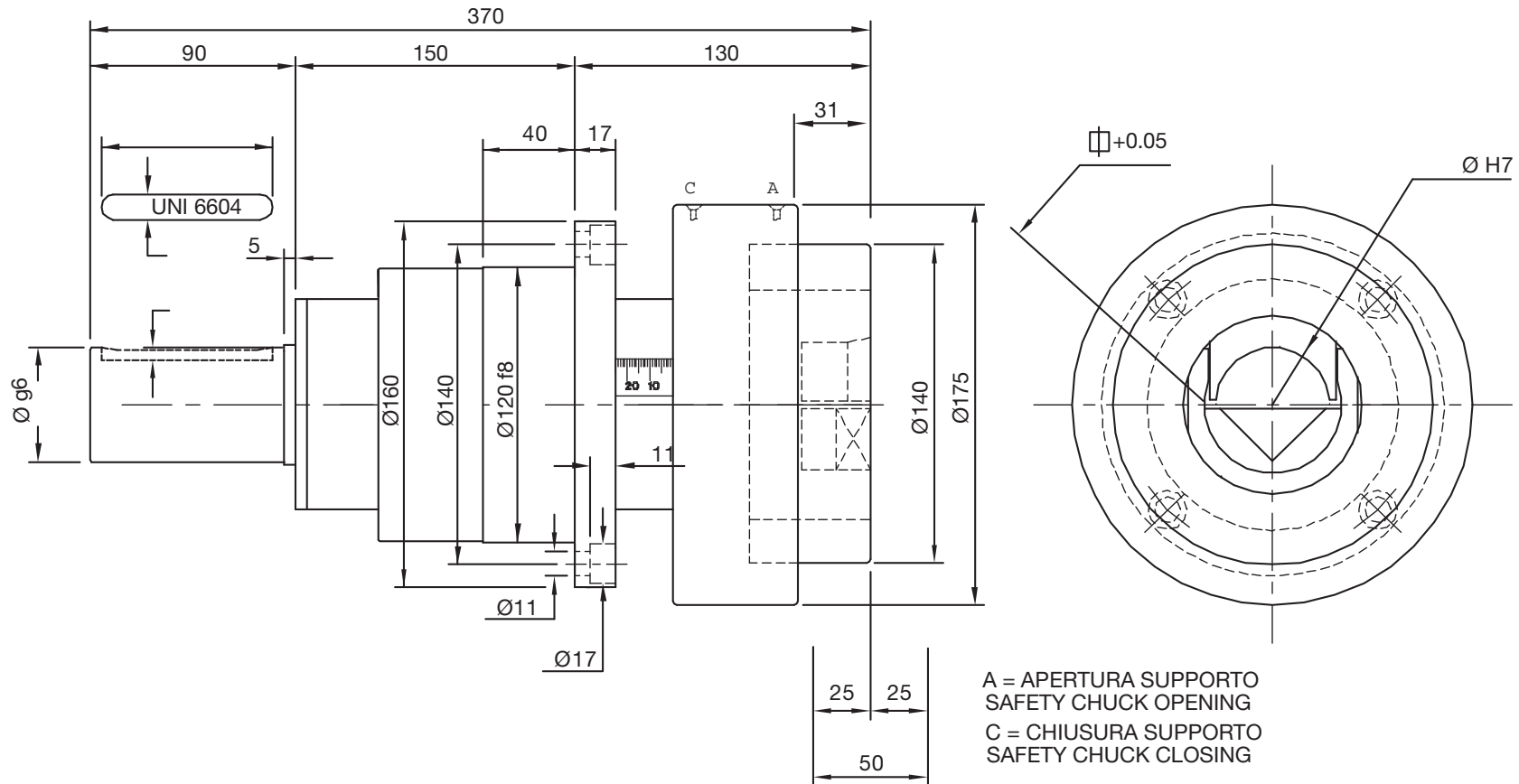
SVECOM P.E.

Web site: www.svecom.com

SUPPORTO SAFETY CHUCK

Tipo
Type

955 PNLF1 con alberino
with shaft extension



A richiesta - On request:

- Tipo Supporto
Safety Chuck Type _____
- Quadro
Square Socket _____
- Ø Alberino
Shaft diameter _____

Protezione in acciaio standard - Steel finger guards are standard

Portata Max Coppia Supporti Capacity per Pair	Max Torsione Trasmissibile Max Torque Transmissible	Velocità Massima Max Speed	Quadri Standard Square Standard Socket	Ø Alberino Standard Standard Shaft Diameter
15600 N	1000 N/M	1200 RPM	⌀ 35 - Ø 50	Ø 25 - Ø 45

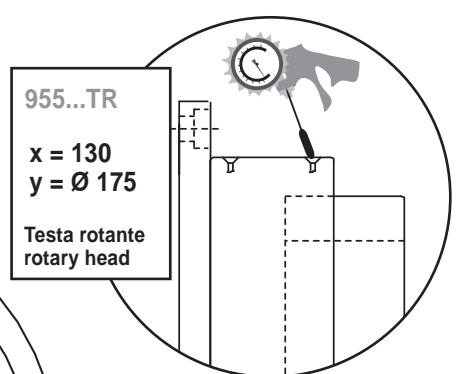
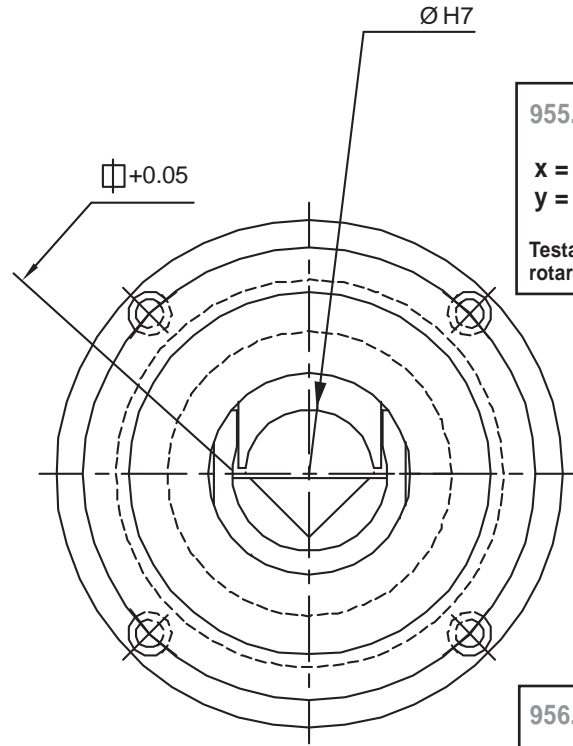
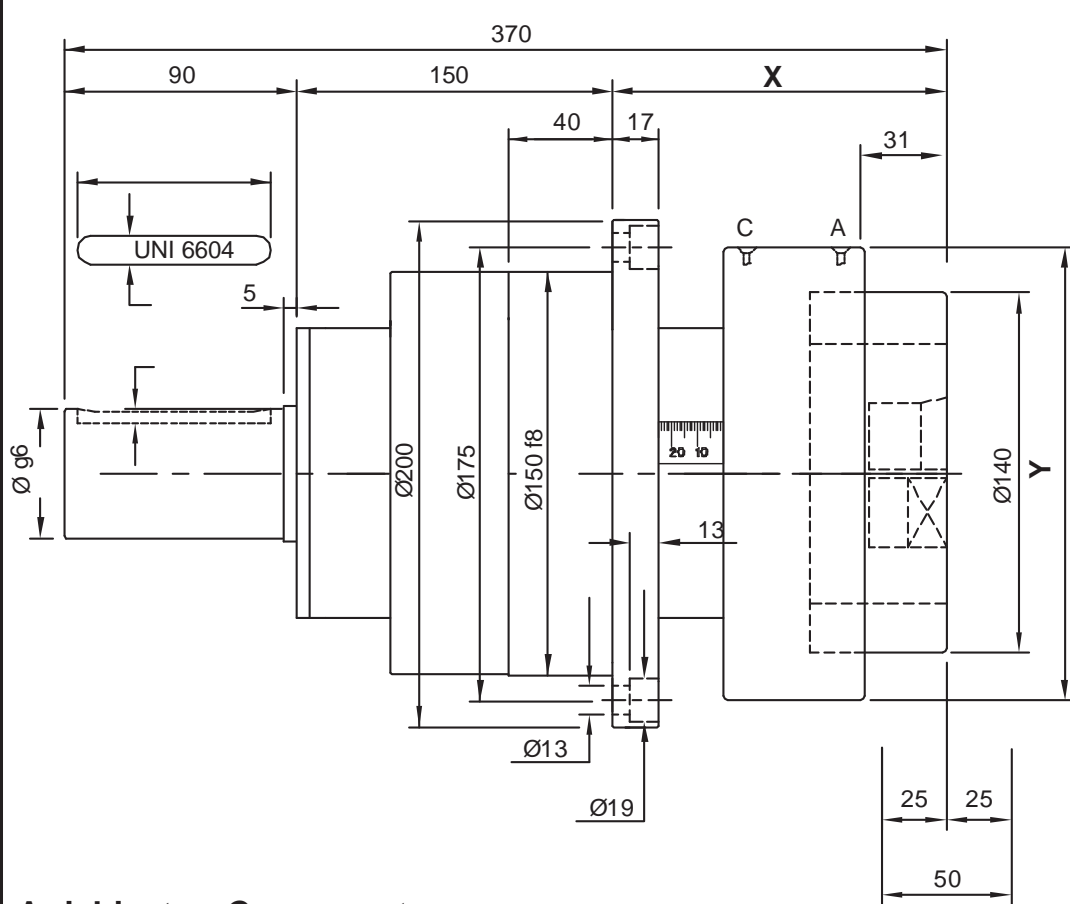


SVECOM P.E. SUPPORTO SAFETY CHUCK

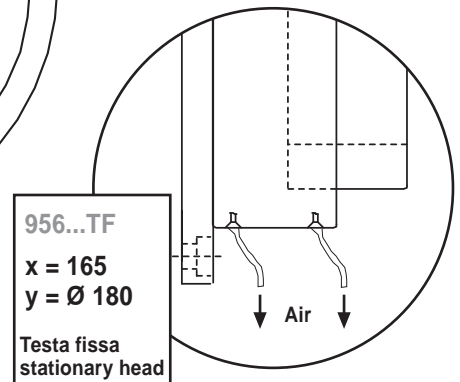
Web site: www.svecom.com

Tipo Testa rotante / rotary head **955 PNP1TR**
 Testa fissa / stationary head **956 PNP1TF**

con alberino with shaft extension



Gonfiaggio manuale Manual inflate



Gonfiaggio automatico Automatic inflate

A = APERTURA SUPPORTO SAFETY CHUCK OPENING
 C = CHIUSURA SUPPORTO SAFETY CHUCK CLOSING

A richiesta - On request:

- Tipo Supporto Safety Chuck Type _____
- Quadro Square Socket _____
- Ø Alberino Shaft diameter _____

Protezione in acciaio standard - Steel finger gards are standard

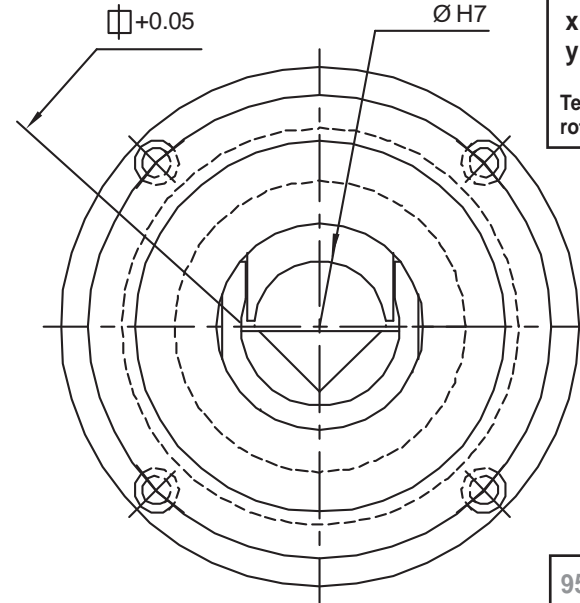
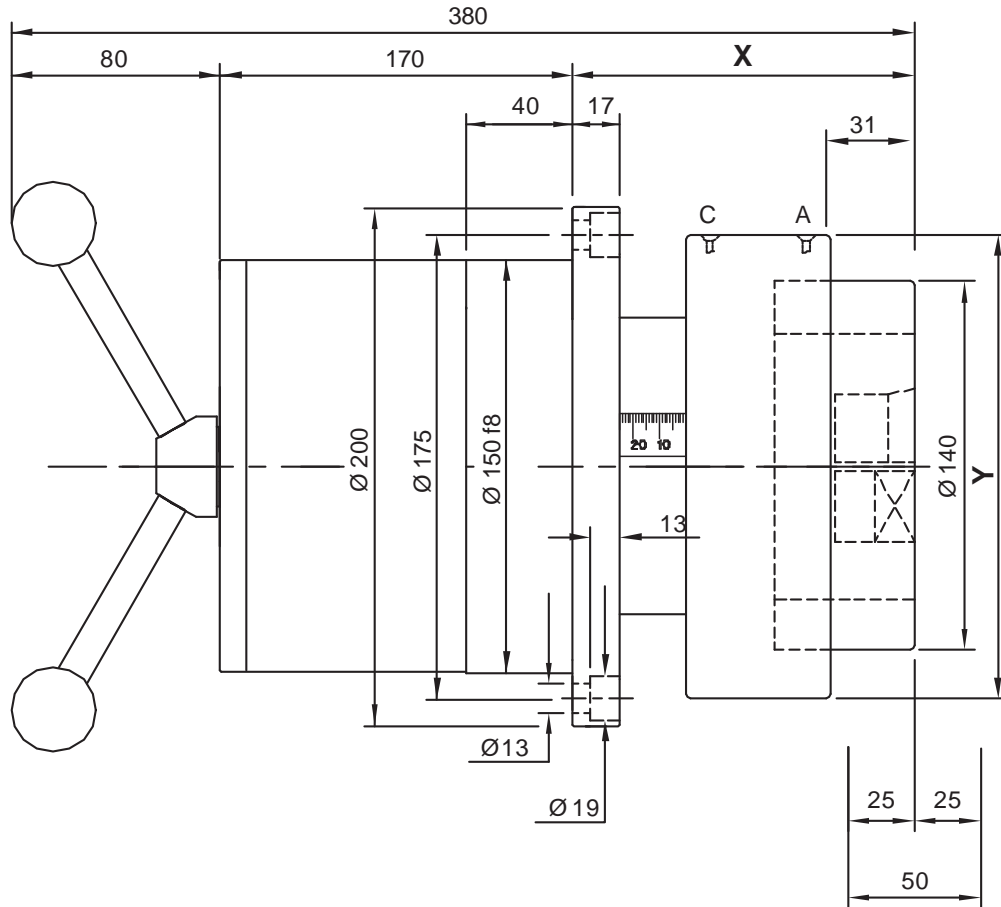
Portata Max Coppia Supporti Capacity per Pair	Max Torsione Trasmissibile Max Torque Transmissible	Velocità Massima Max Speed	Quadri Standard Square Standard Socket	Ø Alberino Standard Standard Shaft Diameter
30000 N	1300 N/M	1500 RPM	⌀ 40 - Ø 55	Ø 30 - Ø 50



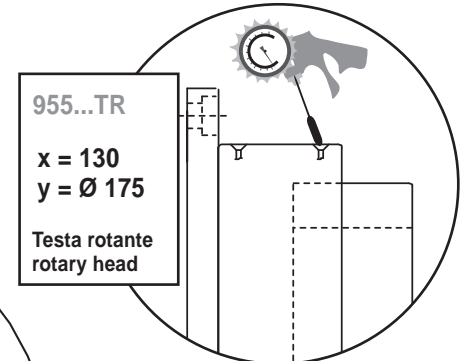
SVECOM P.E. SUPPORTO SAFETY CHUCK

Web site: www.svecom.com

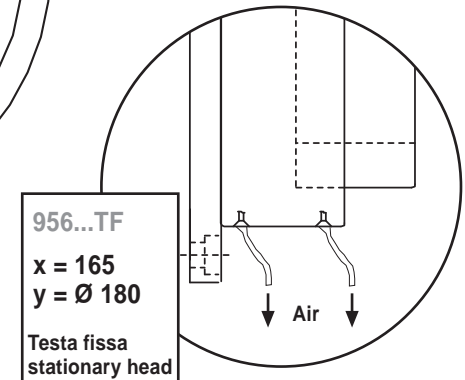
Tipo Type	Testa rotante / rotary head	Testa fissa / stationary head	con alberino with shaft extension
	955 PNPf2TR	956 PNPf2TF	



A = APERTURA SUPPORTO
SAFETY CHUCK OPENING
C = CHIUSURA SUPPORTO
SAFETY CHUCK CLOSING



Gonfiaggio manuale
Manual inflate



Gonfiaggio automatico
Automatic inflate

A richiesta - On request:

- Tipo Supporto
Safety Chuck Type _____
- Quadro
Square Socket _____
- Ø Alberino
Shaft diameter _____

Protezione in acciaio standard - Steel finger guards are standard

Portata Max Coppia Supporti Capacity per Pair	Max Torsione Trasmissibile Max Torque Transmissible	Velocità Massima Max Speed	Quadri Standard Square Standard Socket
30000 N	1300 N/M	1500 RPM	\square 40 - Ø 55



SVECOM P.E.

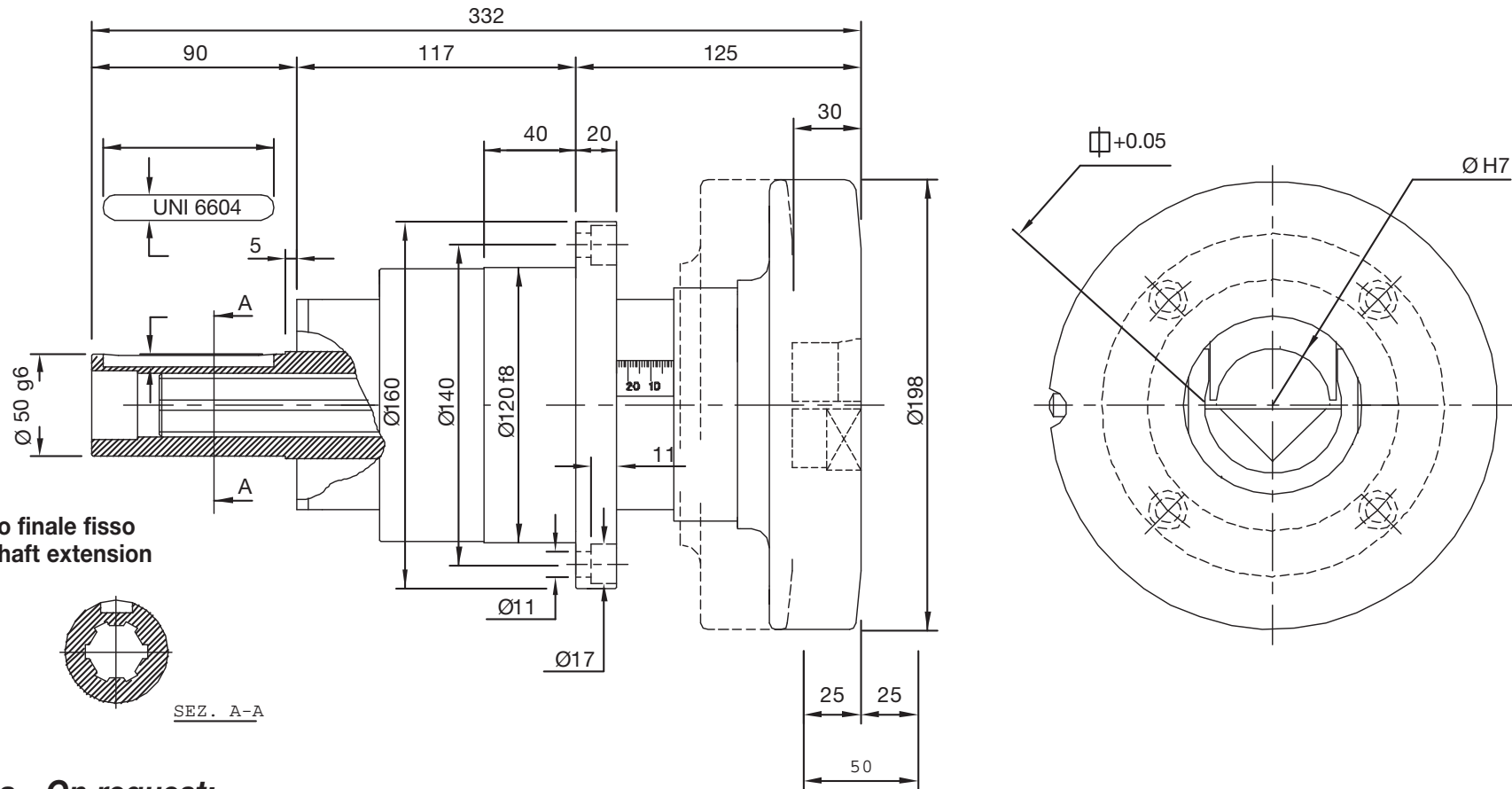
Web site: www.svecom.com

SUPPORTO SAFETY CHUCK

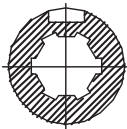
Tipo
Type

950 KLSLF1

con alberino
with shaft extension



Alberino finale fisso
Fixed shaft extension



SEZ. A-A

A richiesta - On request:

- Tipo Supporto
Safety Chuck Type _____
- Quadro
Square Socket _____
- Ø Alberino
Shaft diameter _____

Protezione in plastica standard - Plastic finger guards are standard

Portata Max Coppia Supporti Capacity per Pair	Max Torsione Trasmissibile Max Torque Transmissible	Velocità Massima Max Speed	Quadri Standard Square Standard Socket	Ø Alberino Standard Standard Shaft Diameter
15600 N	1000 N/M	1200 RPM	□ 30 - Ø 50	Ø 50



SVECOM P.E.

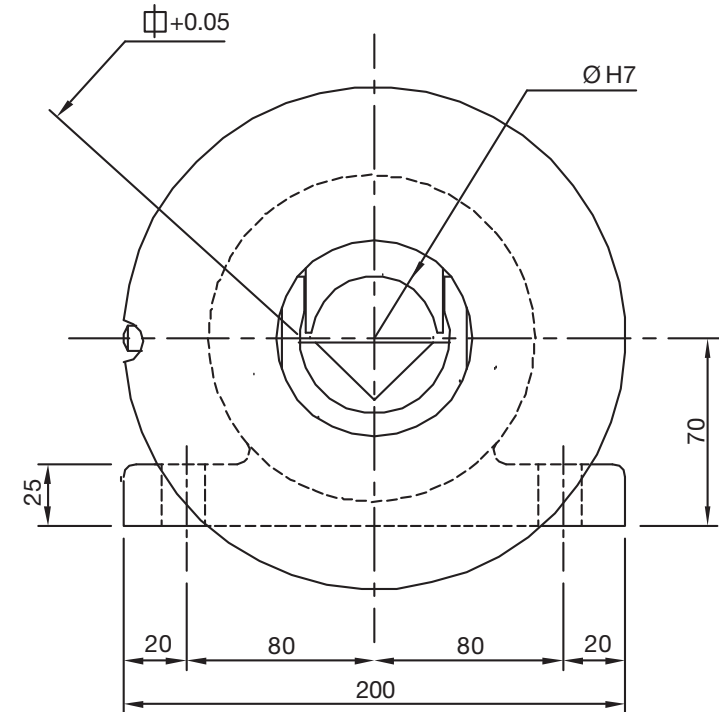
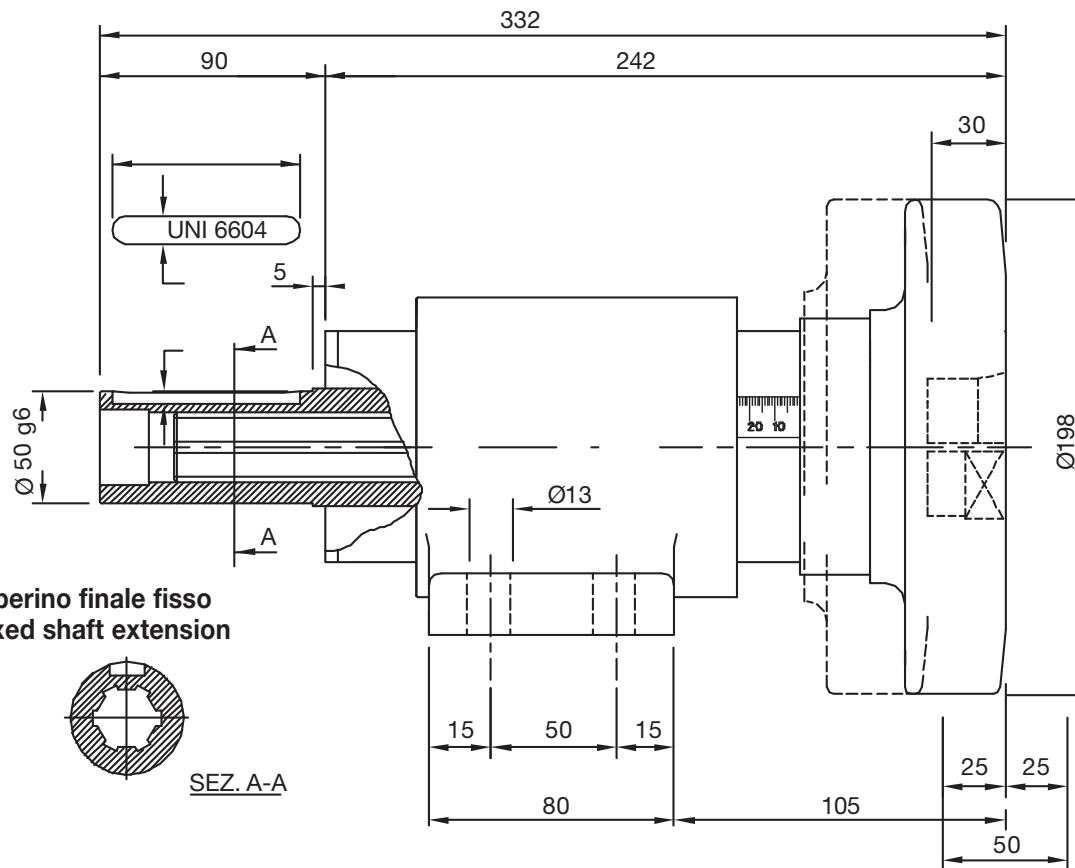
Web site: www.svecom.com

SUPPORTO SAFETY CHUCK

Tipo
Type

950 KLSLP1

con alberino
with shaft extension



A richiesta - On request:

- Tipo Supporto
Safety Chuck Type _____
- Quadro
Square Socket _____
- \varnothing Alberino
Shaft diameter _____

Protezione in plastica standard - Plastic finger guards are standard

Portata Max Coppia Supporti Capacity per Pair	Max Torsione Trasmissibile Max Torque Transmissible	Velocità Massima Max Speed	Quadri Standard Square Standard Socket	\varnothing Alberino Standard Standard Shaft Diameter
15600 N	1000 N/M	1200 RPM	$\varnothing 30 - \varnothing 50$	$\varnothing 50$



SVECOM P.E.

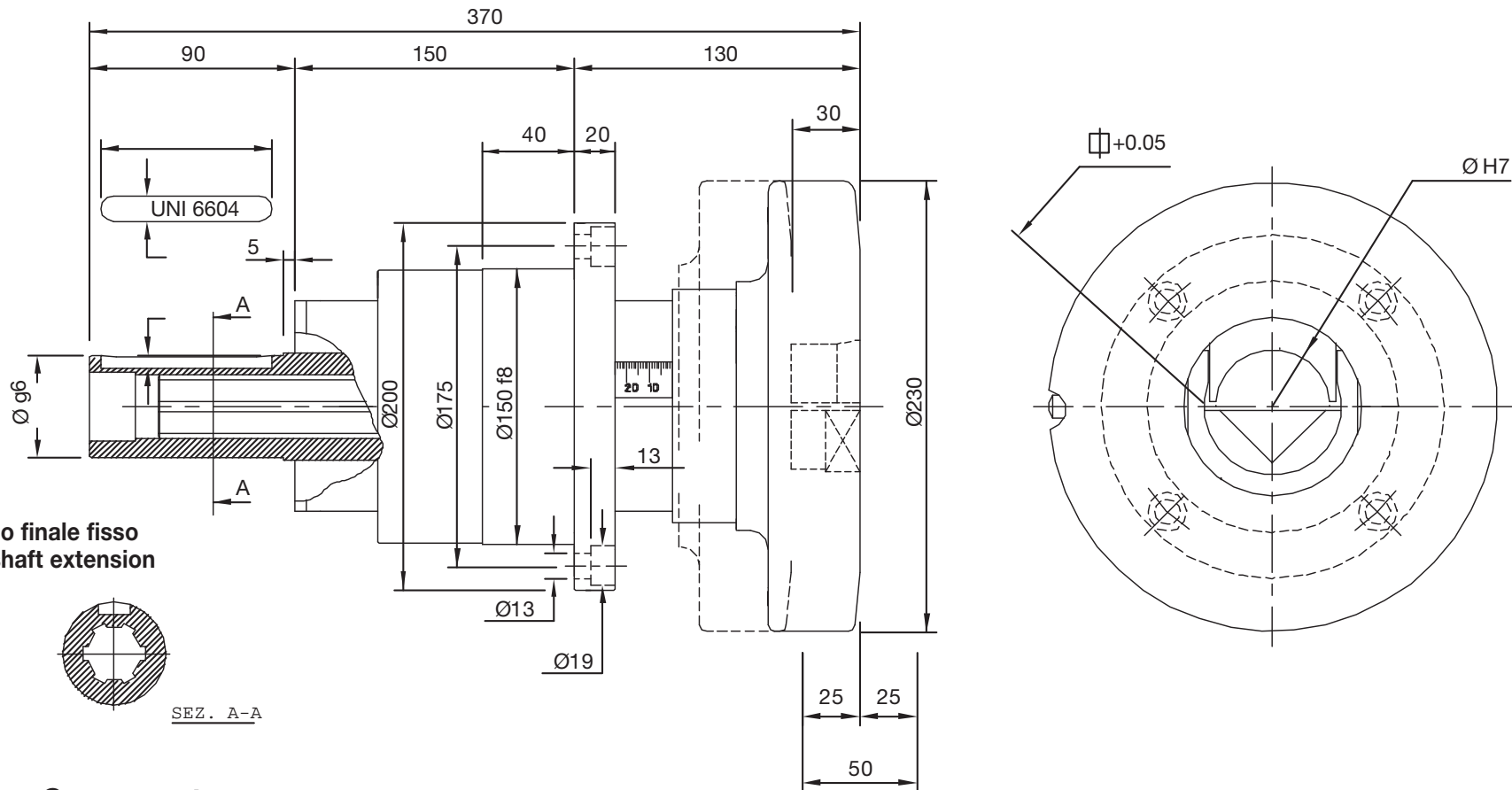
Web site: www.svecom.com

SUPPORTO SAFETY CHUCK

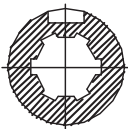
Tipo
Type

950 KLSPF1

con alberino
with shaft extension



Alberino finale fisso
Fixed shaft extension



SEZ. A-A

A richiesta - On request:

- Tipo Supporto
Safety Chuck Type _____
- Quadro
Square Socket _____
- Ø Alberino
Shaft diameter _____

Protezione in plastica standard - Plastic finger guards are standard

Portata Max Coppia Supporti Capacity per Pair	Max Torsione Trasmissibile Max Torque Transmissible	Velocità Massima Max Speed	Quadri Standard Square Standard Socket	Ø Alberino Standard Standard Shaft Diameter
30000 N	1300 N/M	1500 RPM	□ 40 - Ø 55	Ø 50



SVECOM P.E.

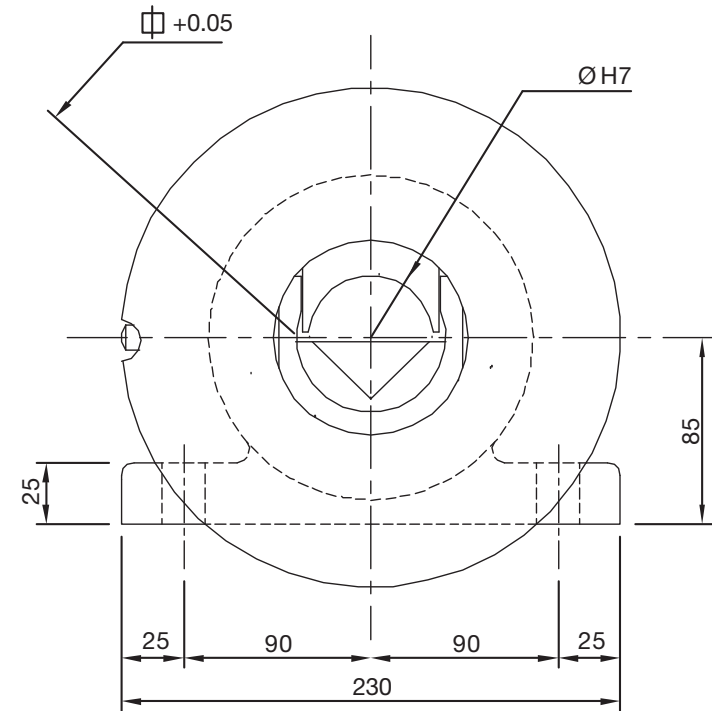
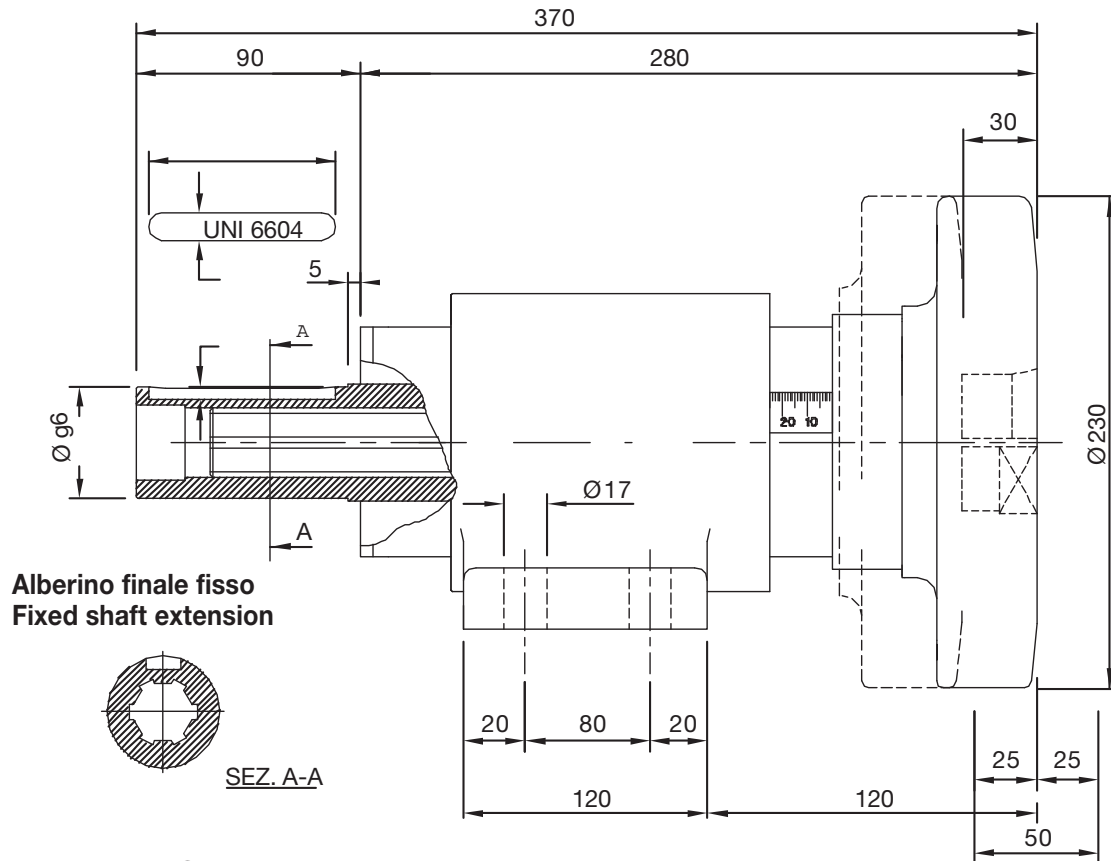
Web site: www.svecom.com

SUPPORTO SAFETY CHUCK

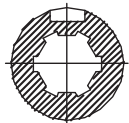
Tipo
Type

950 KLSP1

con albero
with shaft extension



Alberino finale fisso
Fixed shaft extension



SEZ. A-A

A richiesta - On request:

- Tipo Supporto
Safety Chuck Type _____
- Quadro
Square Socket _____
- \varnothing Alberino
Shaft diameter _____

Protezione in plastica standard - Plastic finger guards are standard

Portata Max Coppia Supporti Capacity per Pair	Max Torsione Trasmissibile Max Torque Transmissible	Velocità Massima Max Speed	Quadri Standard Square Standard Socket	\varnothing Alberino Standard Standard Shaft Diameter
30000 N	1300 N/M	1500 RPM	$\square 40 - \varnothing 55$	$\varnothing 50$